

AUTUMN COVE



## ASSEMBLY INSTRUCTIONS

ITEM#: A102013107/A102013107B1/A102013107B2  
SKU#: 810545280/810545401/810545402

# AUTUMN COVE 10X12 HARDTOP WOOD GAZEBO

Need help? We are here for you! 1(866)578-6569 24/7 • Toll Free

---

---

## **GENERAL BEST PRACTICES FOR ASSEMBLY:**

---

---

- Please read and understand this entire manual before attempting to assemble or install the product.
  - Before beginning assembly of product, make sure all parts are present. Compare parts with package contents list and hardware contents list. If any part is missing or damaged, do not attempt to assemble the product.
  - The assembled gazebo should be located at least 6 feet from any obstruction such as fence, garage, house, overhanging branches, laundry lines or electrical wires.
  - Some parts may contain sharp edges. Wear protective gloves if necessary, during assembly.
  - This unit is heavy. For safety, do not assemble this item alone. Four people are recommended for safe assembly.
  - Check all nuts and bolts periodically for tightness and, when required, tighten them again.
  - Pay attention to the parts orientation
- 
- 

## **WARNINGS:**

---

---

- Install the gazebo on level ground. Stakes are provided to secure the gazebo to the ground.
  - Do not assemble the gazebo on sandy, muddy or loose soil, as stakes do not have enough anchorage in these types of soil.
  - If you wish to secure the gazebo to a wood deck or concrete surface, use anchors suited to these surfaces.
  - Snow must be cleared off regularly during snowy days. Remove the snow at the roof top when it is thicker than 2 inches. In order to avoid damage, use a plastic snow rake to remove excessive snow and ice buildup from roof and keep away from falling debris.
  - Any assembly or maintenance of the product must be carried out by adults only.
  - Please check your state and local regulations prior to purchasing. Some jurisdictions may require permits for installation and use. Some special procedures may be valid in your area.
  - If any scratch paint, please touch up to prevent rusting
  - For outdoor use only.
- 
- 

## **WARRANTY:**

---

---

### WHAT IS COVERED?

The limited warranty is extended to the original purchaser and applies to material and manufacturer's defect provided the item is maintained with care and used only for personal, residential purposes.

Warranty: 1 Year

---

---

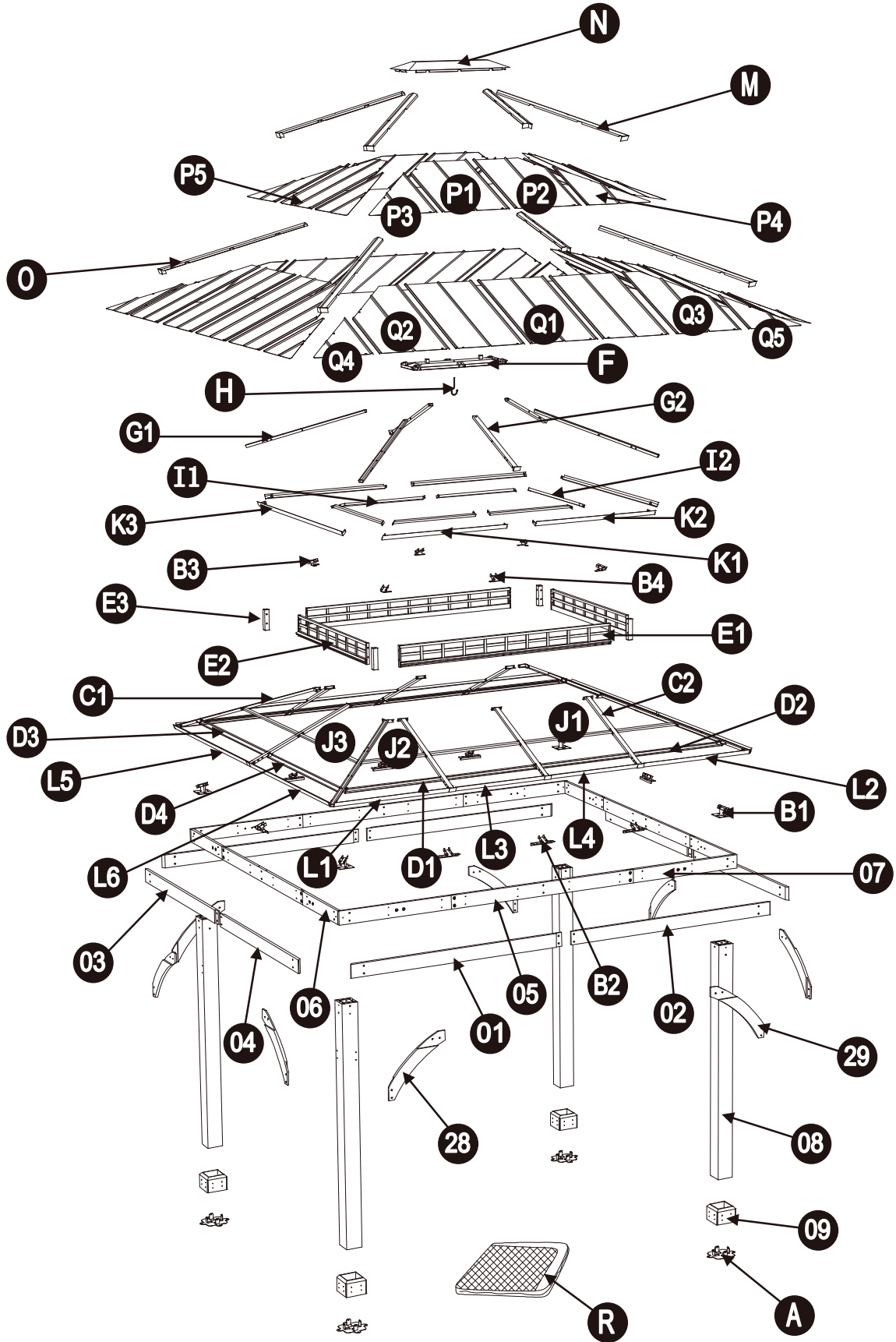
## **MAINTENANCE:**

---





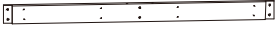



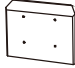





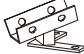

---









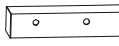










- Steel components for this gazebo are treated with rust inhibiting paint that protects it from rusting. However, due to the nature of steel, surface oxidation (rusting) will occur if these protective coatings are scratched. This is not a defect and thus not covered by the warranty.
  - To minimize this condition, it is recommended to use care when assembling and handling the product to prevent scratching the paint. Should any scratching or damage occur, it is recommended to cover the scratch immediately with rust inhibiting paint (not included).
  - Surface rust can also be easily removed with a very light application of regular cooking oil or WD-40. If surface oxidation (rusting) occurs and if no measure is taken to prevent this, the oxidation may start dripping onto deck or patio and caused damaging stains, which may be difficult to remove. This can be prevented if the above-mentioned measures are taken to keep the product from oxidizing.
  - An annual application of a water - based stain or sealant is recommended to reduce weathering and extend the life of your gazebo.
  - Inspect all wood parts regularly for damage or deterioration. Remove/sand splinters and replace any wood parts that are showing signs of structural damage. Note that knots, small cracks and weathering are natural in an outdoor wood product and do not negatively affect the structural integrity of the gazebo.
  - Keep instruction manual for future reference.
  - Keep the original packaging to store the gazebo.
- 
-




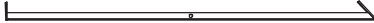










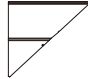


# EXPLODED DRAWING

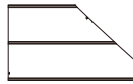
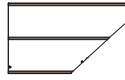
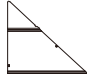
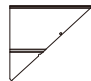
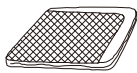


# PARTS LIST

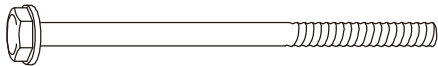

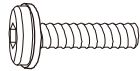
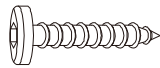
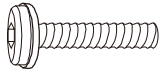
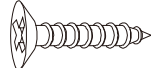

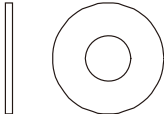
Label	Part Number	Description	Qty	Part Image
01	P00040050602	Lateral left long beam	2	
02	P00040050702	Lateral right long beam	2	
03	P00040050802	Lateral left short beam	2	
04	P00040050902	Lateral right short beam	2	
05	P00040051002	Inner long beam	4	
06	P00040051202	Inner short beam (Short side)	4	
07	P00040051102	Inner short beam (Long side)	4	
08	P00020022702	Post	4	
09	P00610008701	Base cover	16	
28	P00500032001	Support bar 1	4	
29	P00500032101	Support bar 2	4	
A	P000100414	Base	4	
B1	P000501539	Big connector	4	
B2	P000501540	Middle beam connector	8	
B3	P000501341	Small connector for slant beam	4	
B4	P000500740	Small connector for middle beam	2	

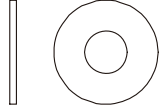





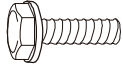
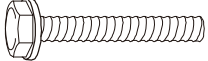
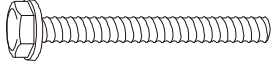
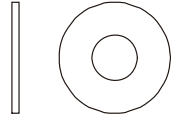
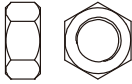




C1	P000601855	Slant beam for big roof	4	
C2	P000601737	Middle beam for big roof	8	
D1	P005700783	Long netting tube 1	2	
D2	P005700784	Long netting tube 2	2	
D3	P005700785	Short netting tube 1	2	
D4	P005700786	Short netting tube 2	2	
E1	P000501419	Big roof frame long side	2	
E2	P000501538	Big roof frame short side	2	
E3	P000501418	Big top connector	4	
F	P000500607	Small connector for small roof	1	
G1	P000601005	Slant beam for small roof	4	
G2	P000601006	Middle beam for small roof	2	
H	P005800001	Hook	1	
I1	P000601007	Small beam 1	4	
I2	P000601100	Small beam 2	2	
J1	P000601856	Long beam	4	
J2	P000601858	Side beam	4	
J3	P000601857	Short beam	4	
K1	P000601734	Small Roof Panel Flashing (Long Side)1	2	

K2	P000601735	Small Roof Panel Flashing (Long Side)2	2	
K3	P000601736	Small Roof Panel Flashing (Short Side)	2	
L1	P000601859	Big Roof Panel Flashing (Long Side)1	2	
L2	P000601860	Big Roof Panel Flashing (Long Side)4	2	
L3	P000601901	Big Roof Panel Flashing (Long Side)2	2	
L4	P000601902	Big Roof Panel Flashing (Long Side)3	2	
L5	P000601903	Big Roof Panel Flashing (Short Side)1	2	
L6	P000601904	Big Roof Panel Flashing (Short Side)2	2	
M	P000800240	Small roof sloping beam cover plate	4	
N	P000900150	Small top cover	1	
O	P000800287	Big roof sloping beam cover plate	4	
P1	P000700758	Small roof long panel (left)	2	
P2	P000700759	Small roof long panel (right)	2	
P3	P000700760	Small roof short panel (left)	4	
P4	P000700761	Small roof short panel (right)	4	
P5	P000700762	Small roof middle panel	2	
Q1	P000700763	Big roof big panel	10	

Q2	P000700764	Big roof middle panel 1	4	
Q3	P000700483	Big roof middle panel 2	4	
Q4	P000700924	Big roof small panel 1	4	
Q5	P000700925	Big roof small panel 2	4	
R	P001200038	Mosquito netting	1	

## HARDWARE LIST

Label	Part Number	Description	Qty	Add	Part Image
AA	H100010158	Bolt M10*205	8	1	
BB	H030010031	Screws ST9.5x80	8	1	
CC	H100010054	Bolt M8*25	24	2	
DD	H030030013	Screws ST8*35	16	1	
EE	H100010055	Bolt M8*35	16	1	
FF	H030050058	Screws ST4.8x30	80	4	
GG	H030050057	Screws ST4.8x40	128	7	
HH	H050080008	Flat washer M10	16	1	

I1	H050080007	Flat washer M8	16	1	
JJ	H040050026	Nut M10	8	1	
KK	H070010003	Stake Φ8*180	16	0	
LL	H040090005	T-Nut M8*20	16	1	
MM	H040090004	T-Nut M8*8	24	2	
NN	H090990002	M3 Drill	2	0	
OO	H100010047	Bolt M6*20	262	13	
PP	H100010046	Bolt M6*40	16	1	
QQ	H100010073	Bolt M6*60	20	1	
RR	H050030001	Flat washer M6	20	1	
SS	H040010004	Nut M6	20	1	
TT	P005100264	Plastic ring	52	3	
Z1	H090010017	Wrench M6	2	0	
Z2	H090030005	Allen Wrench M8	1	0	
Z4	H090010015	Wrench M10	2	0	



---

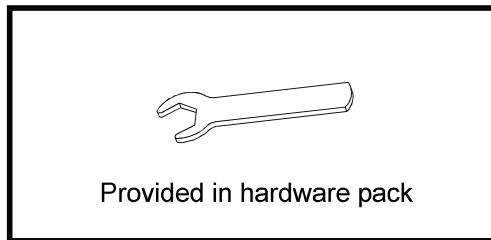
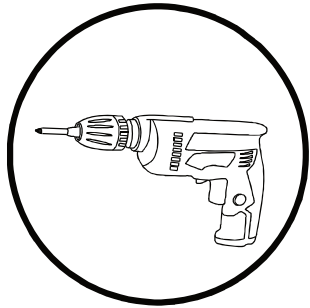
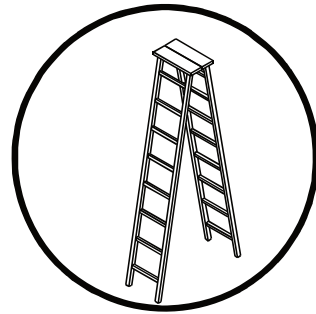
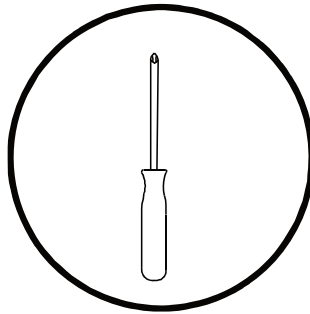
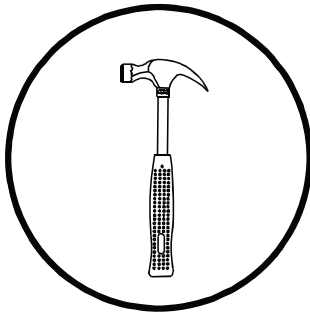
---

## HELPFUL HINTS

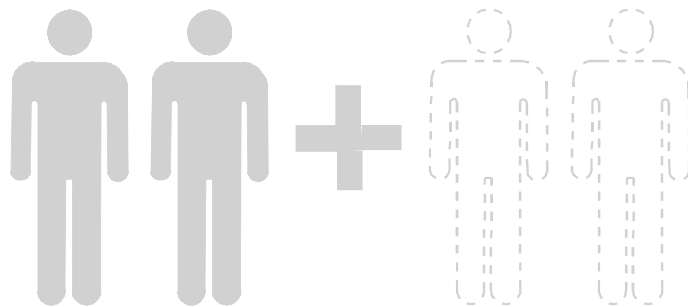
---

---

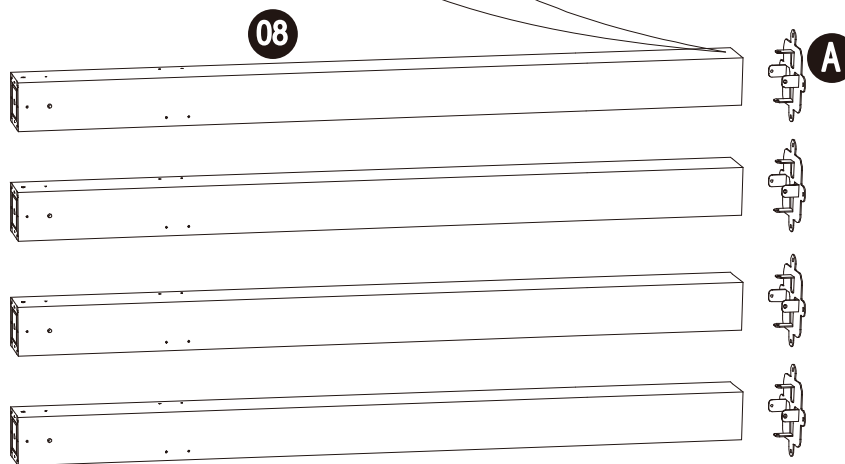
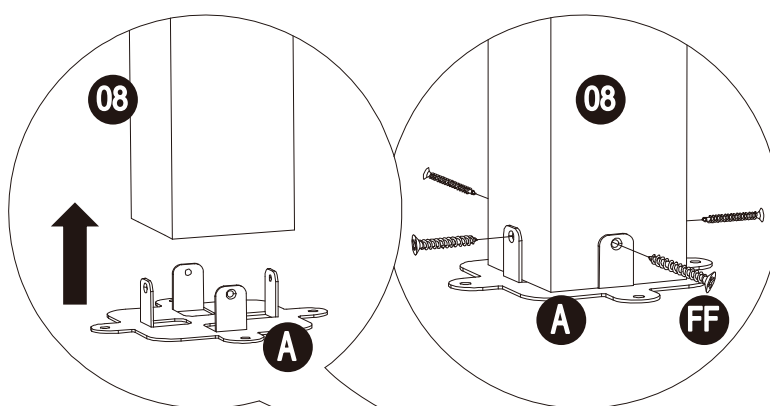
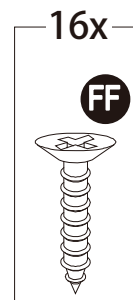
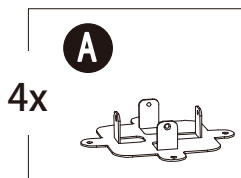
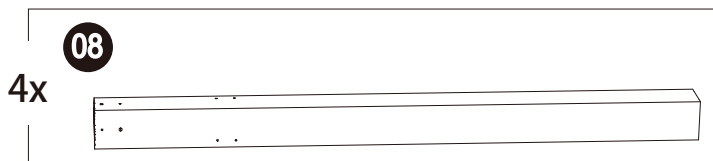
- Tools needed and not included:
- How many people needed for the installation work
- Estimate assemble time: 150-180 minutes



### How many people needed for the installation work



# STEP 1

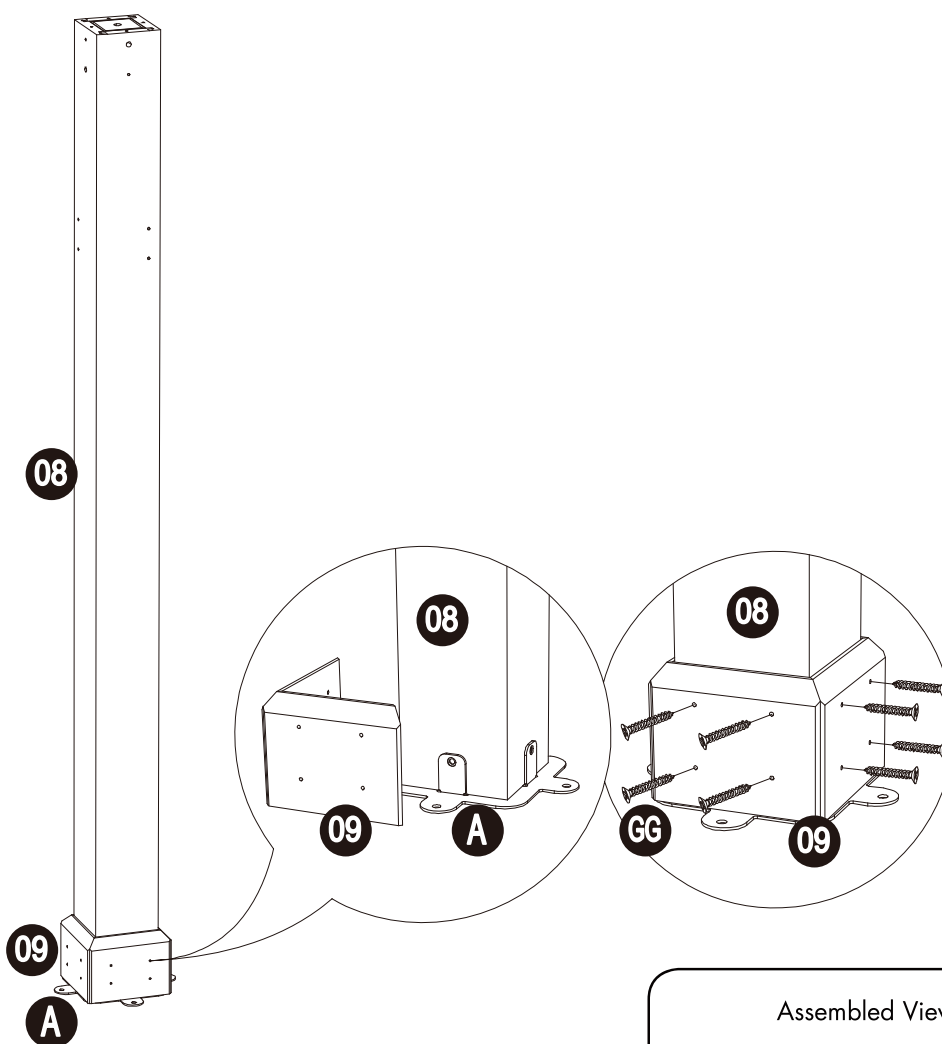
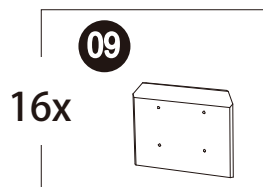
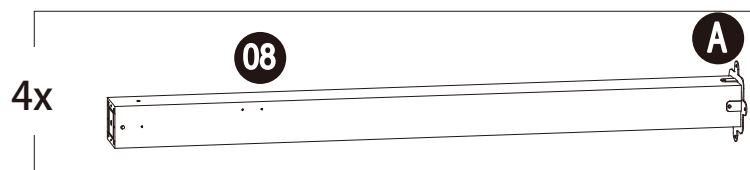


Secure the base (A) to the post (08) using screw (FF).

Assembled View:



## STEP 2

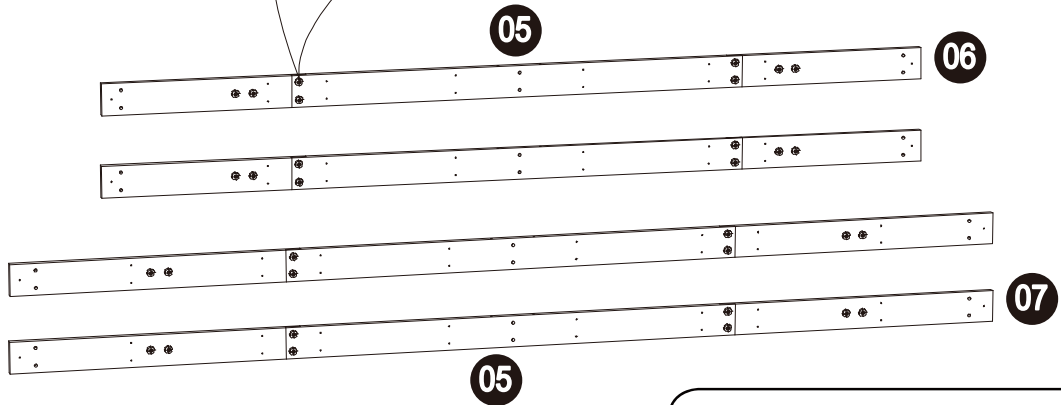
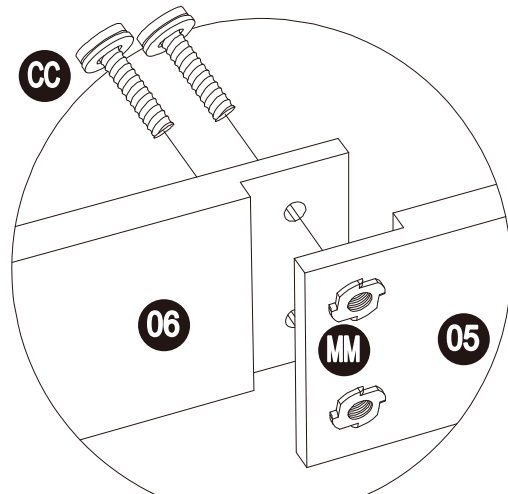
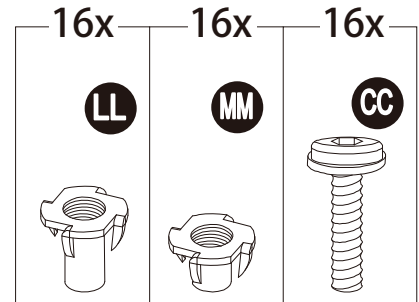
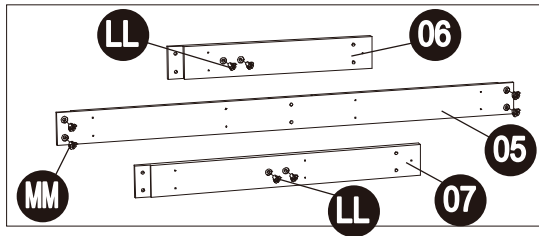
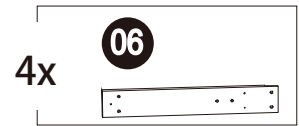
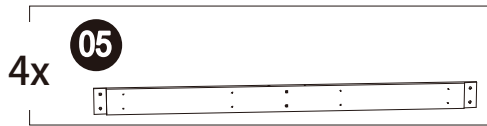


Assembled View:

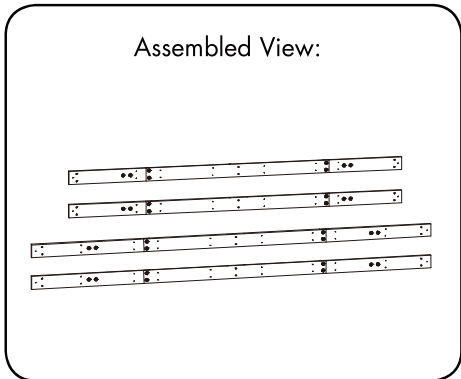


Secure the base cover (09) to the post (08) using screw (GG).

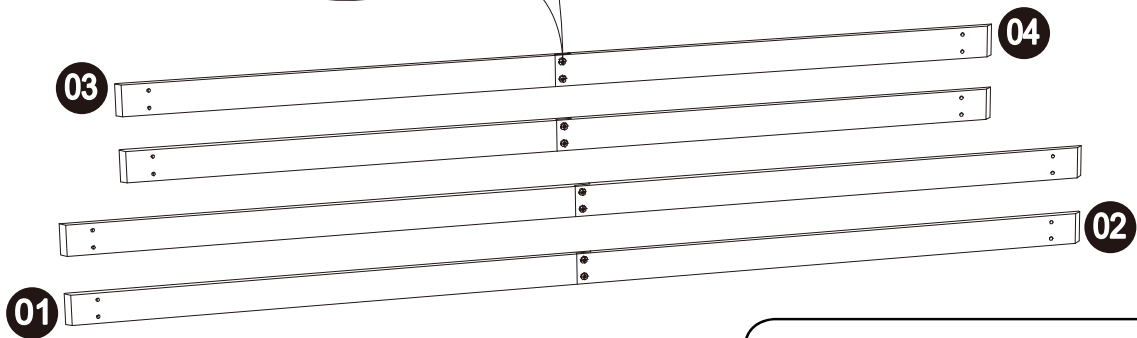
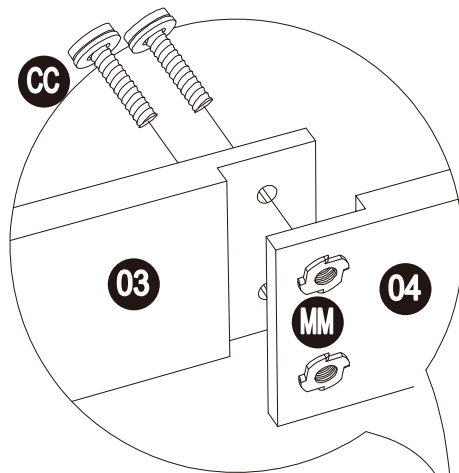
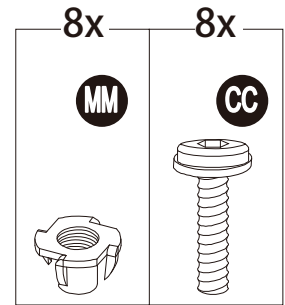
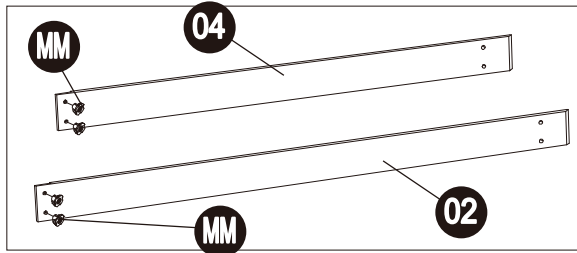
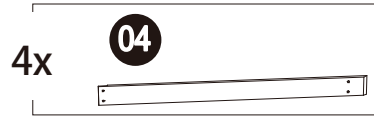
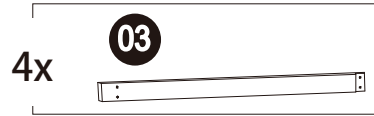
# STEP 3



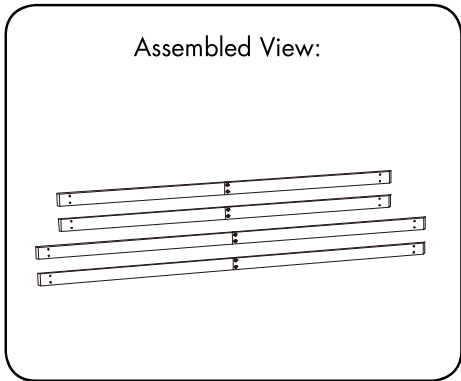
Connect the inner short and long beam (06/07) to the inner medial beam (05) using bolt (GG) and nut (LL/MM), tighten with wrench (Z2).



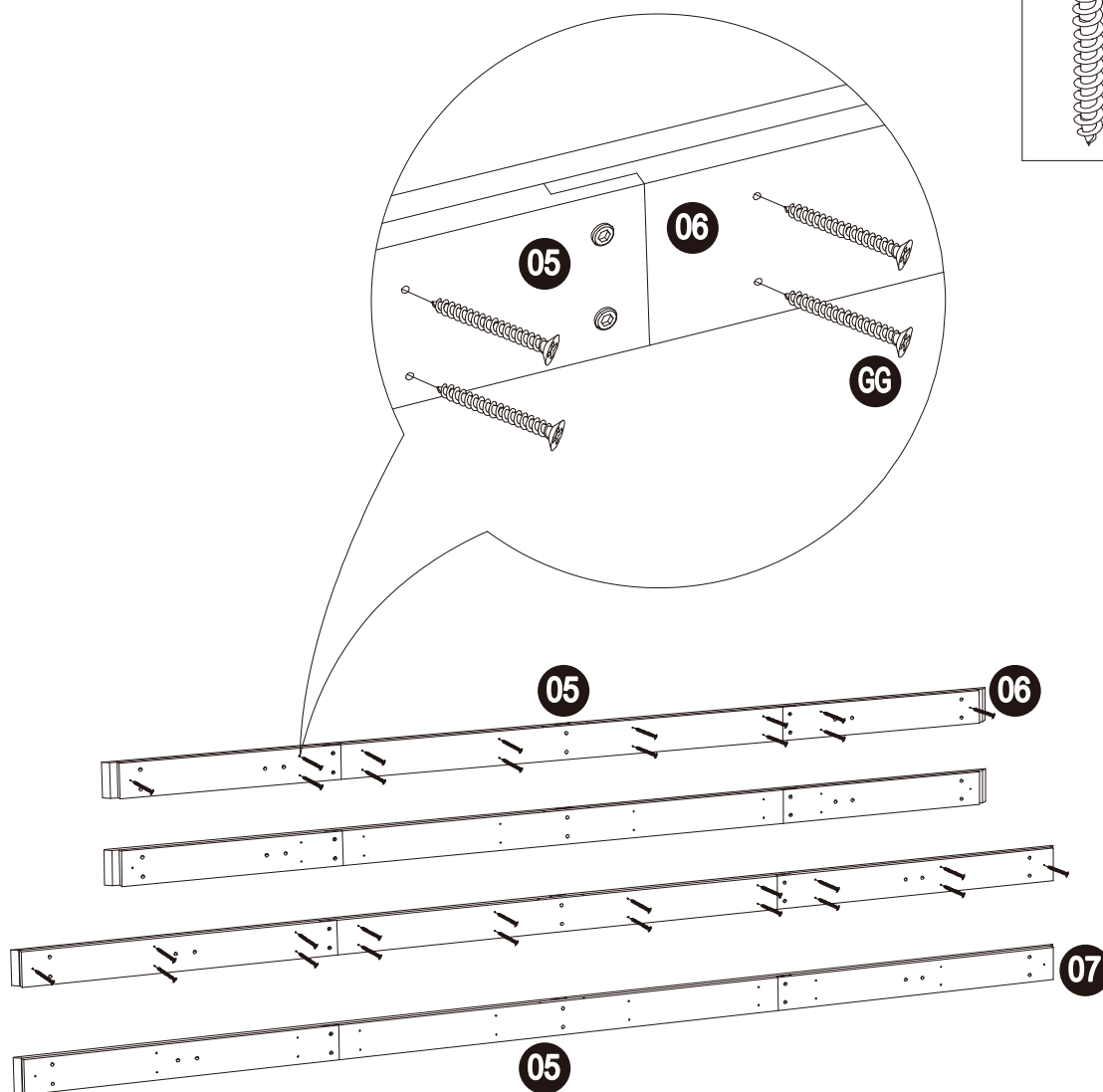
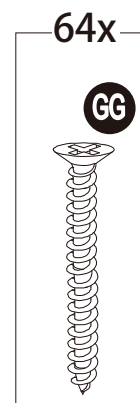
# STEP 4



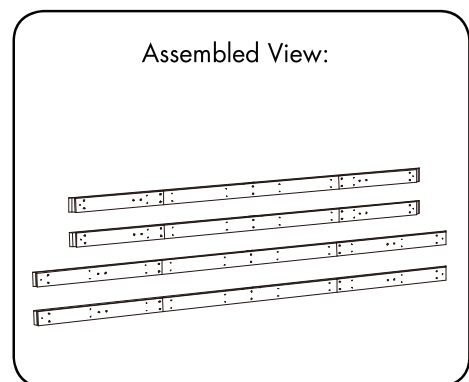
Connect the lateral left and right long team (01/02) together, lateral left short beam (03) to the inner long beam (07) using bolt (CC) and nut (MM), tighten with wrench (Z2).



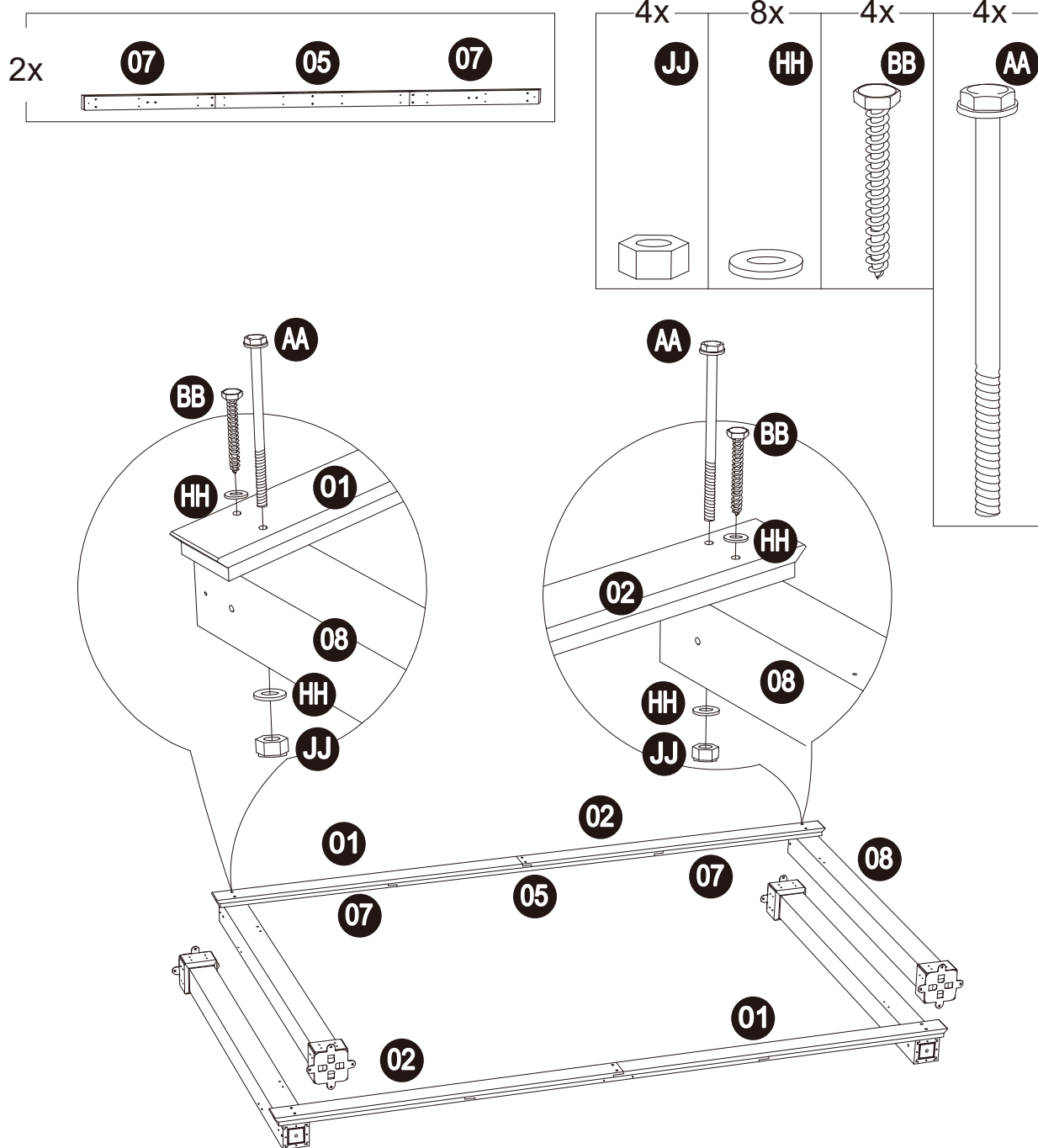
# STEP 5



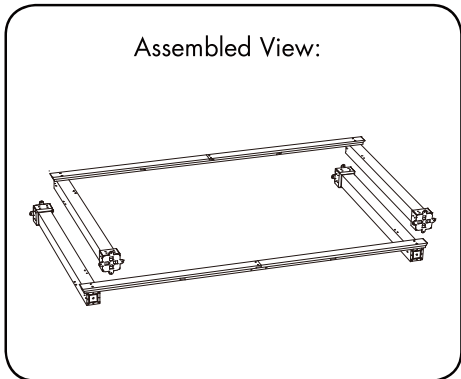
Connect the assembled lateral long team (01/02) to the assembled inner beam (05/07), assembled lateral short team (03/04) to the assembled inner beam (05/06) using screw (GG).



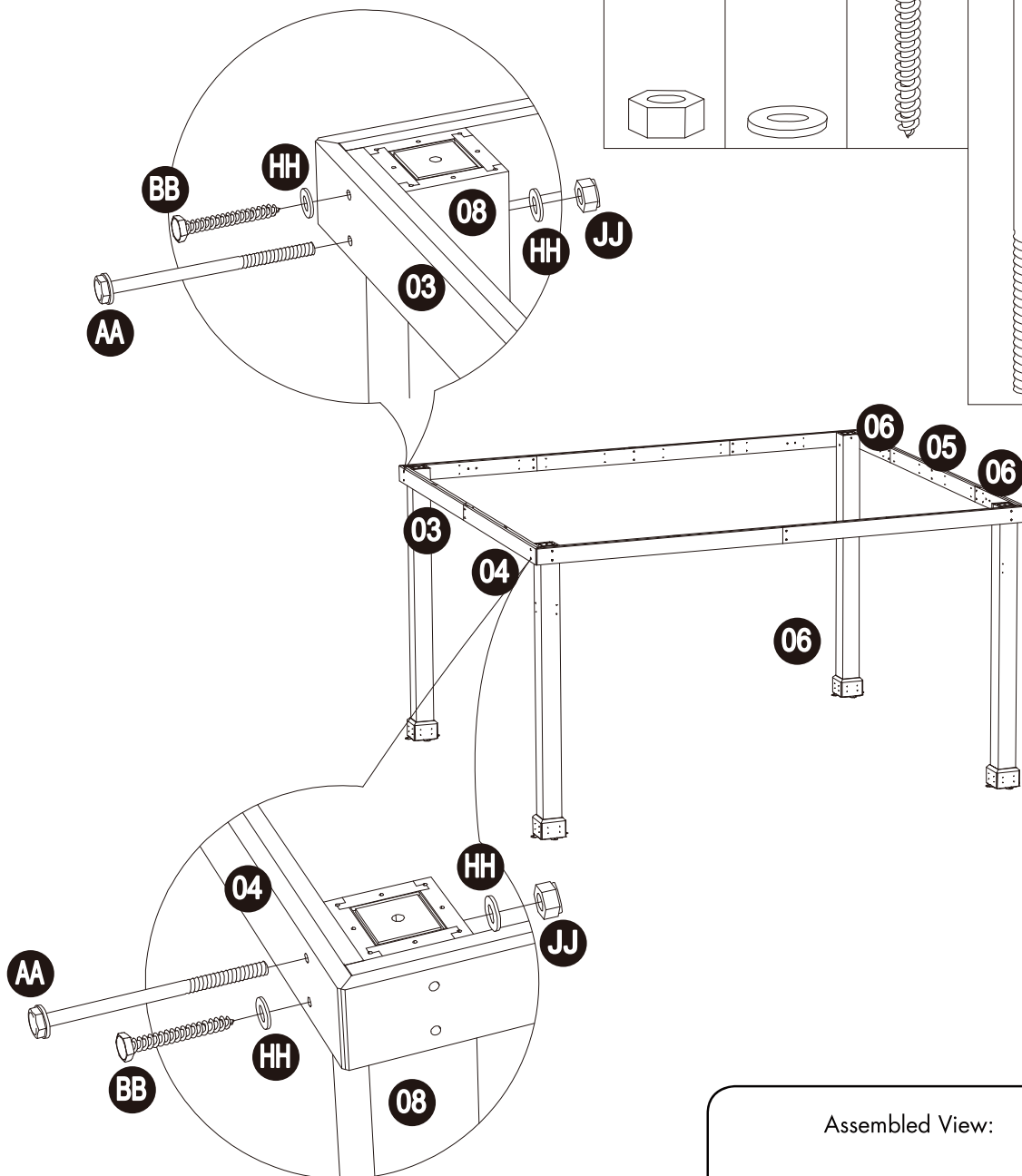
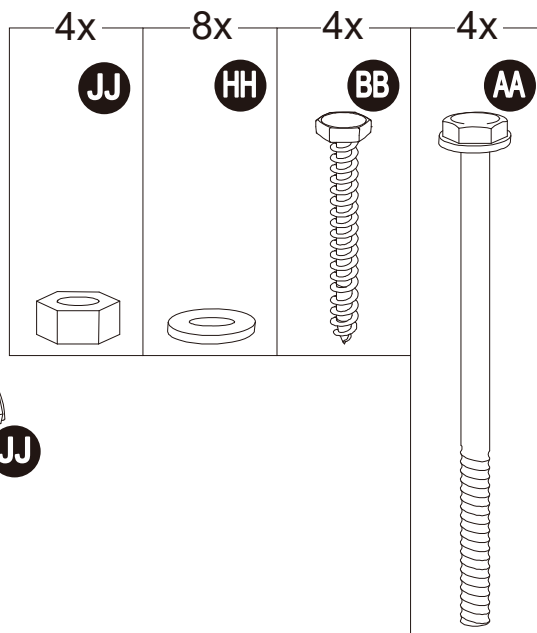
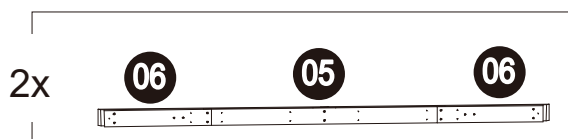
# STEP 6



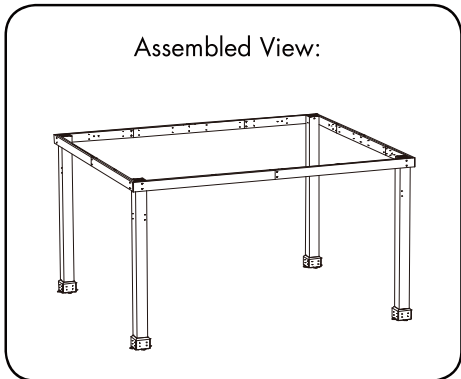
Connect the assembled lateral long team (01/02/05/07) to the assembled post (08/09/A) using bolt (AA), screw (BB), washer (HH) and nut (JJ), tighten with wrench (Z4).



# STEP 7

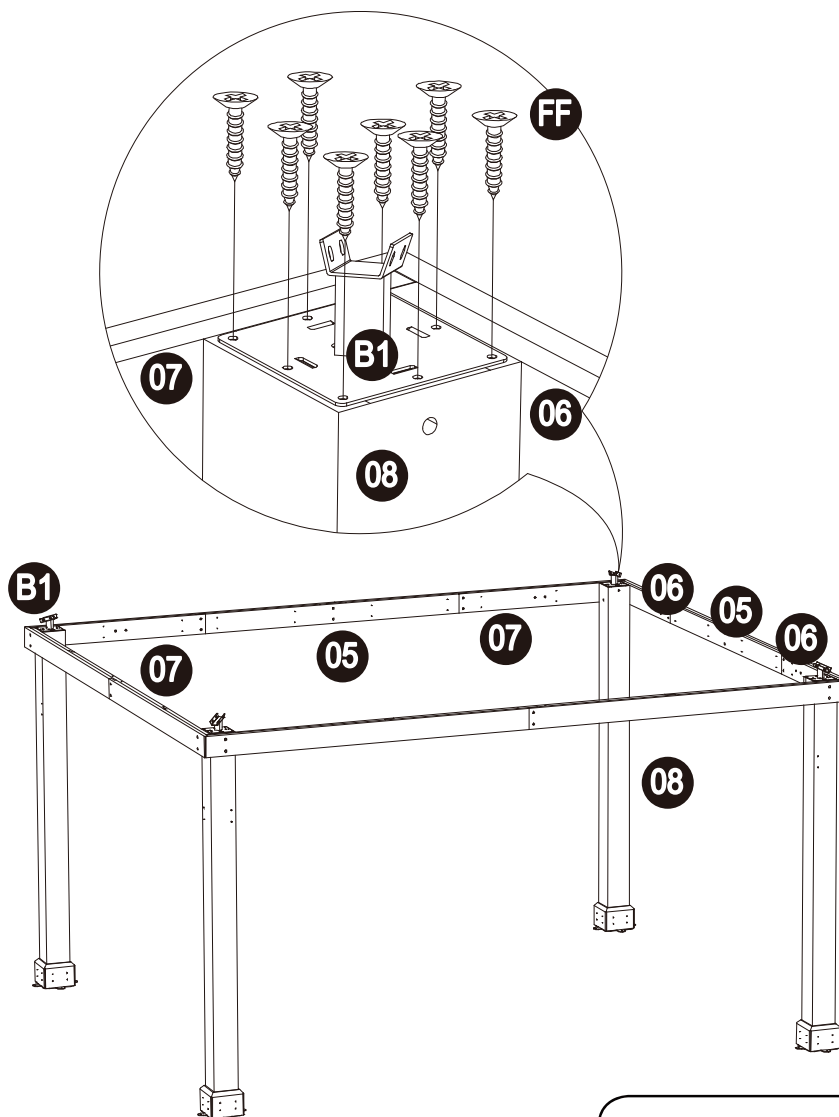
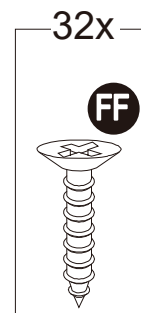
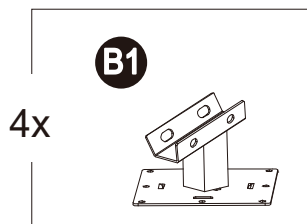


Connect the assembled lateral short team (03/04/05/06) to the assembled post (08/09/A) using bolt (AA), screw (BB), washer (HH) and nut (JJ), tighten with wrench (Z4).

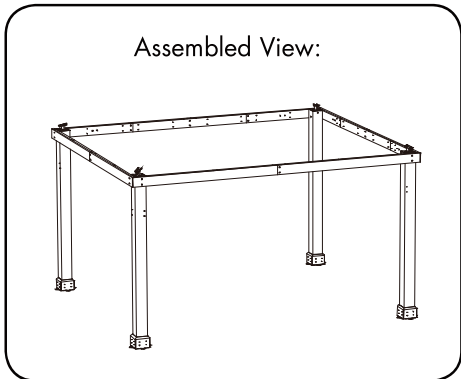




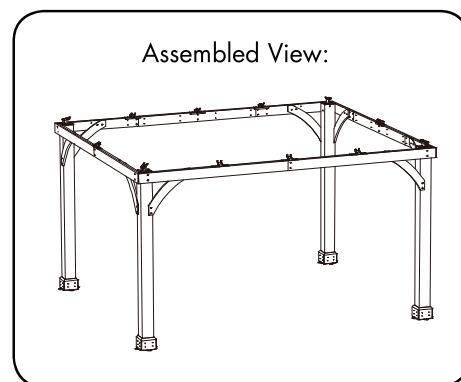
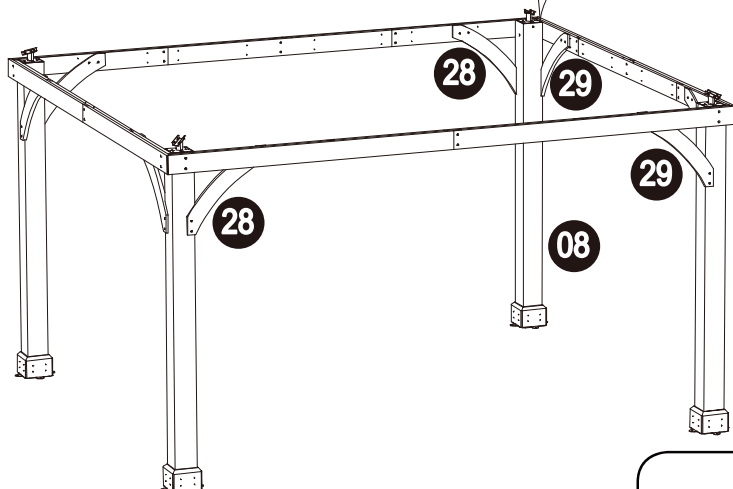
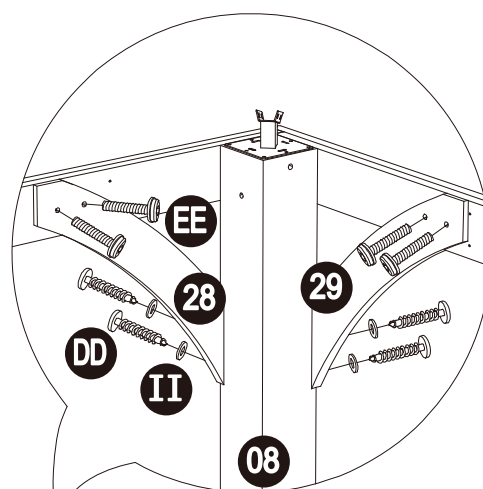
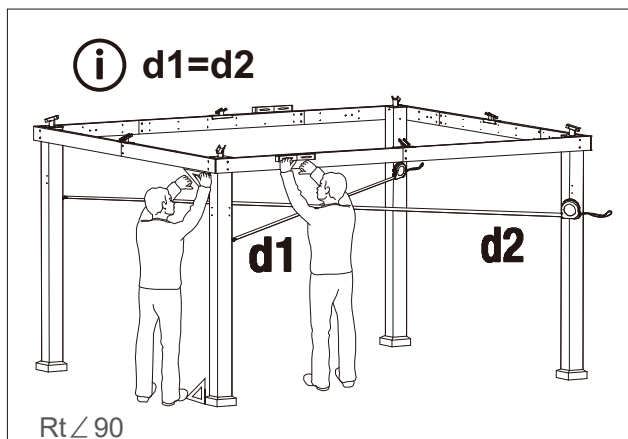
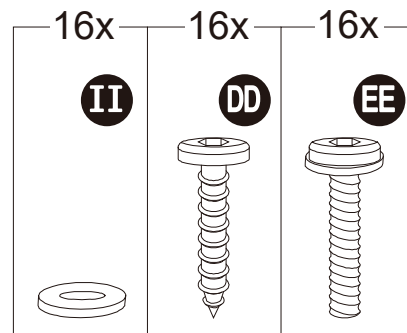
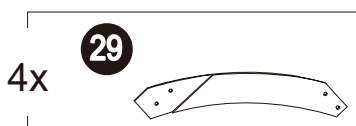
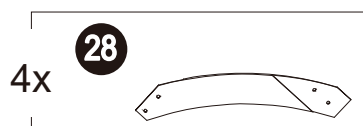
# STEP 8



Connect the big connector (B1) to the post (08) using screw (FF).

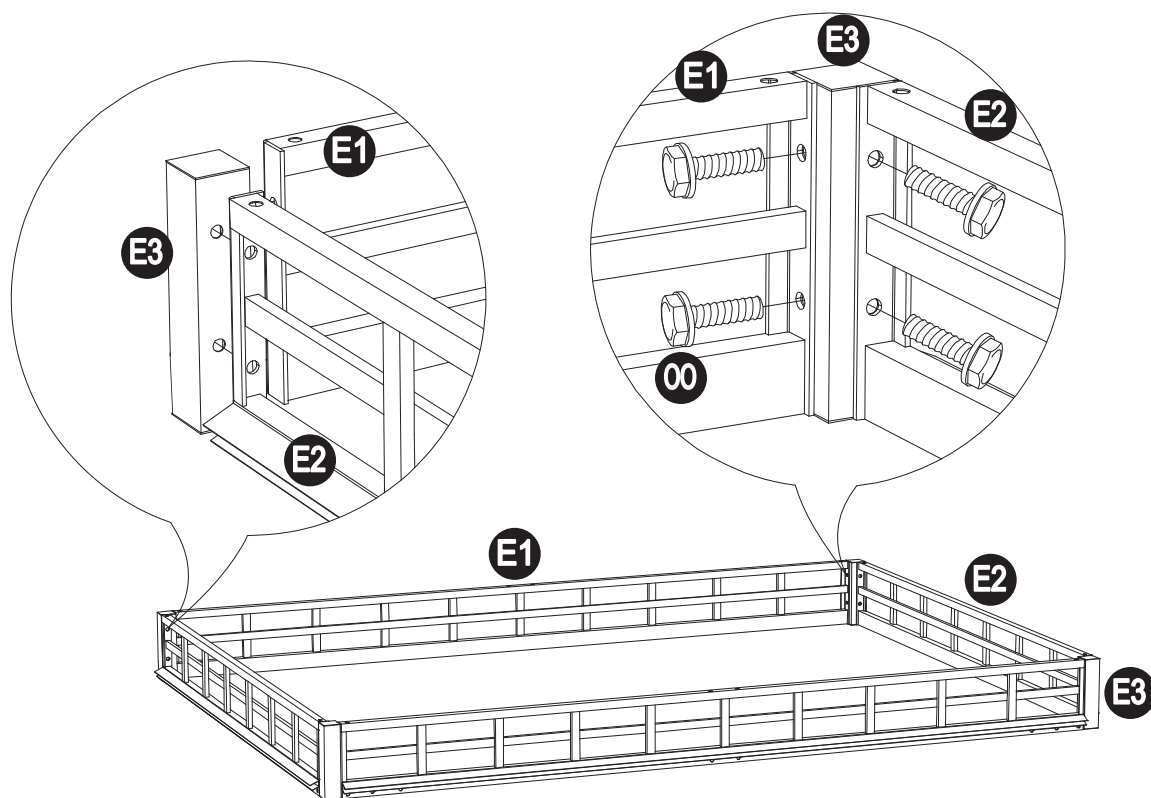
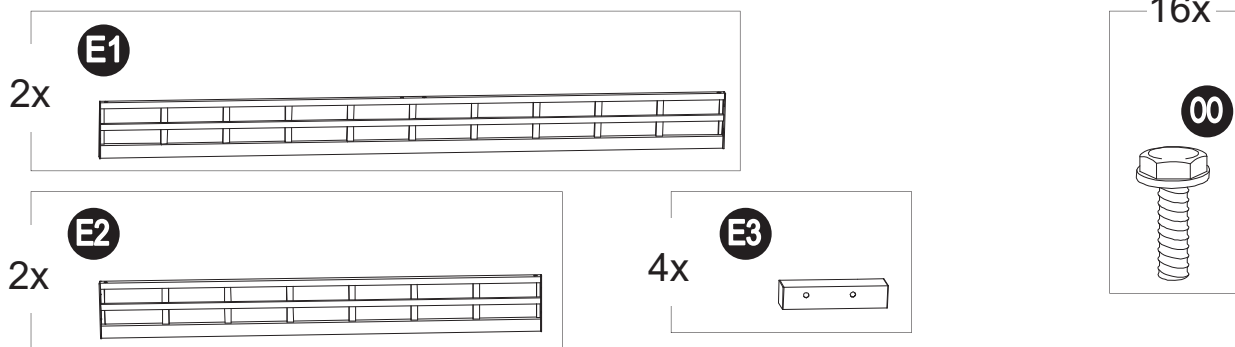


# STEP 9



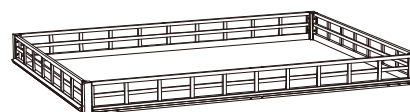
Connect the support bar (28/29) to the assembled beam and post using screw (DD), bolt (EE) and washer (II), tighten with wrench (Z2).

# STEP 10

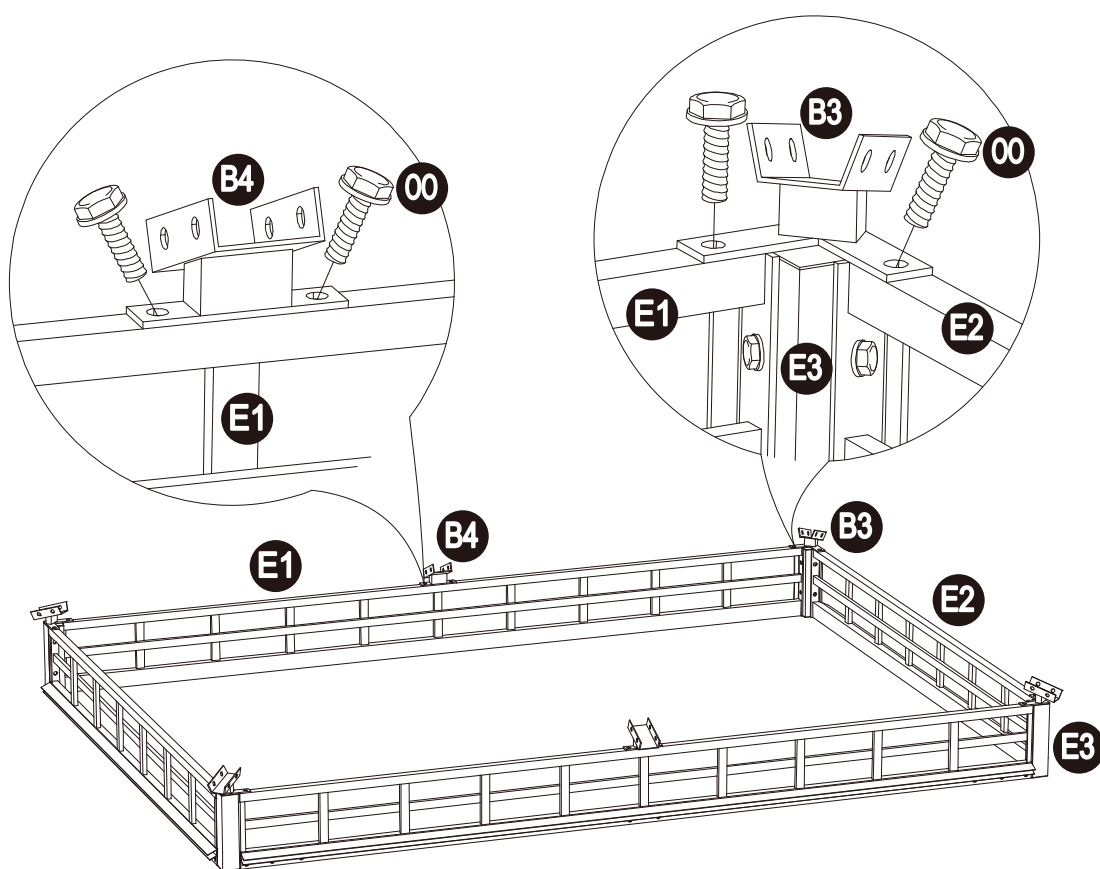
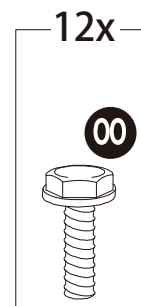
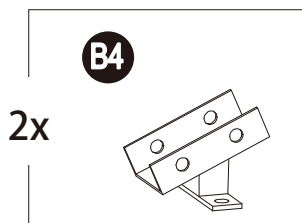
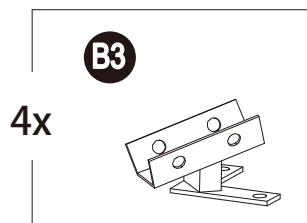


Connect the big roof frame long side (E1) to the big roof frame short side (E2) with big top connector (E3) using bolt (00), tighten with wrench (Z1).

Assembled View:

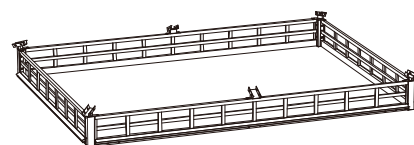


# STEP 11

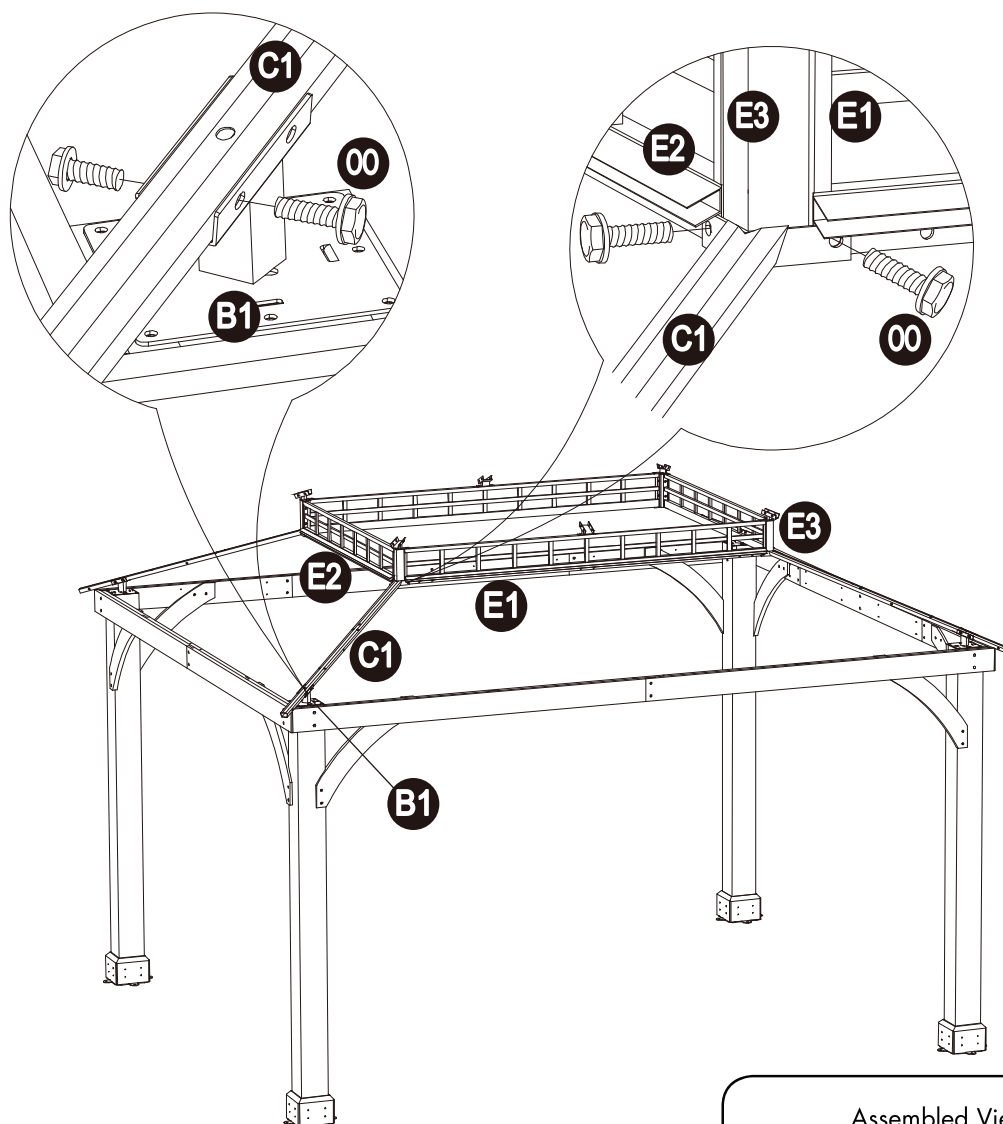
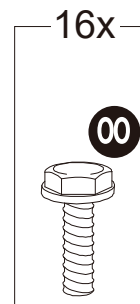
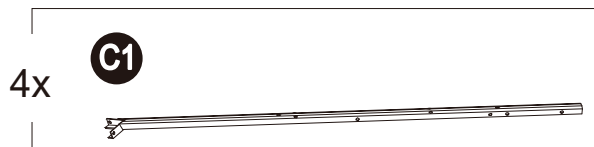


Connect the small connector for slant beam (B3) and the small connector for middle beam (B4) to the assembled big roof frame (E1/E2) using bolt (OO), tighten with wrench (Z1).

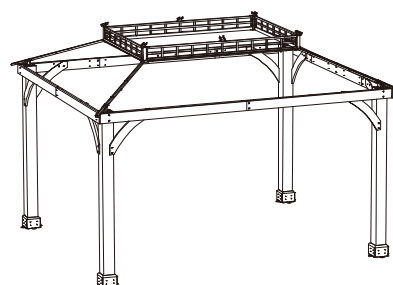
Assembled View:



# STEP 12

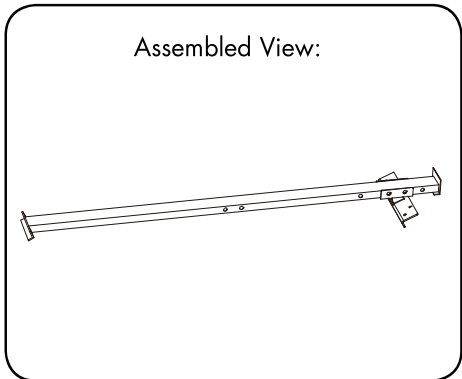
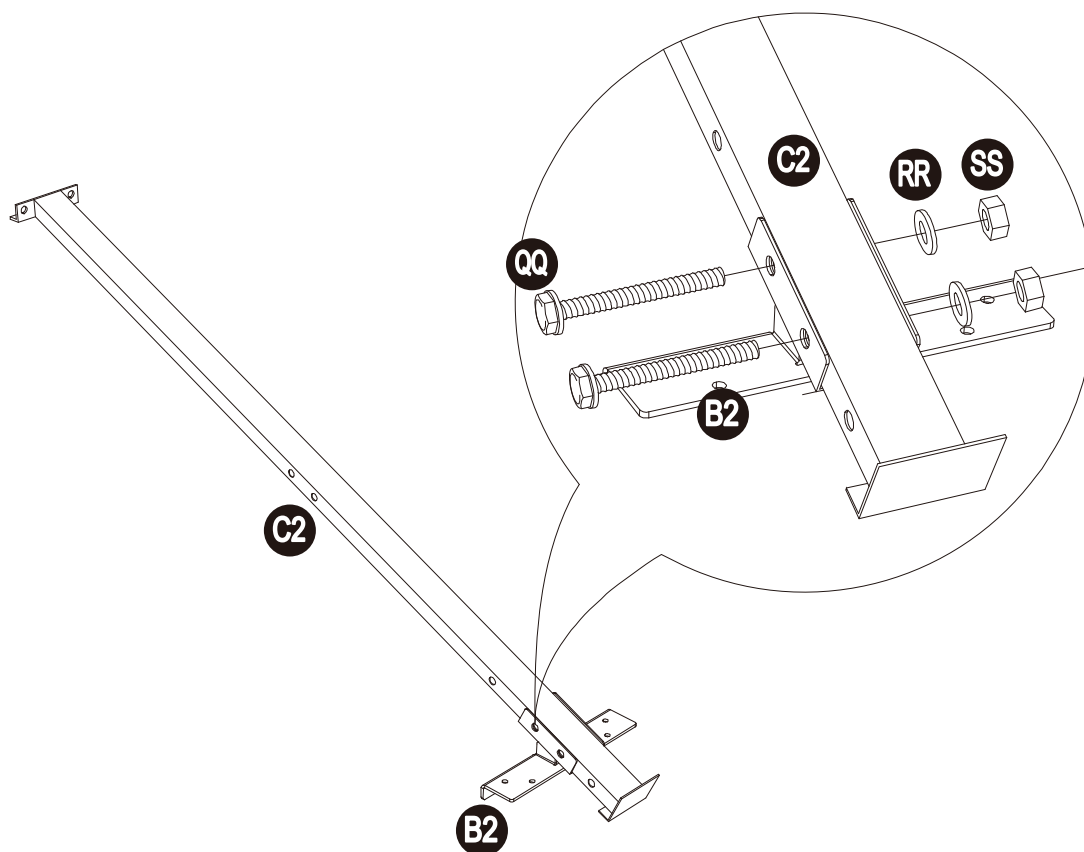
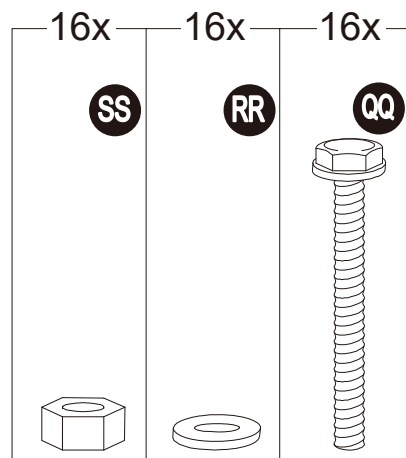
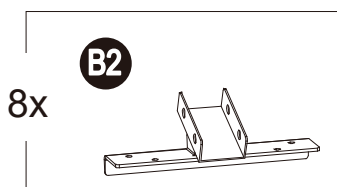
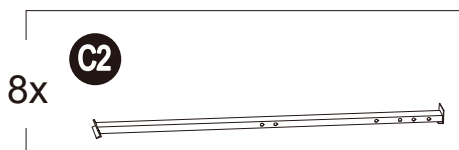


Assembled View:



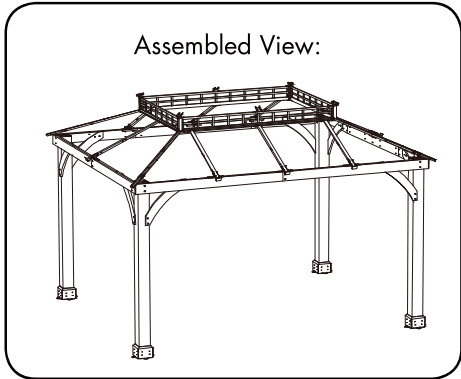
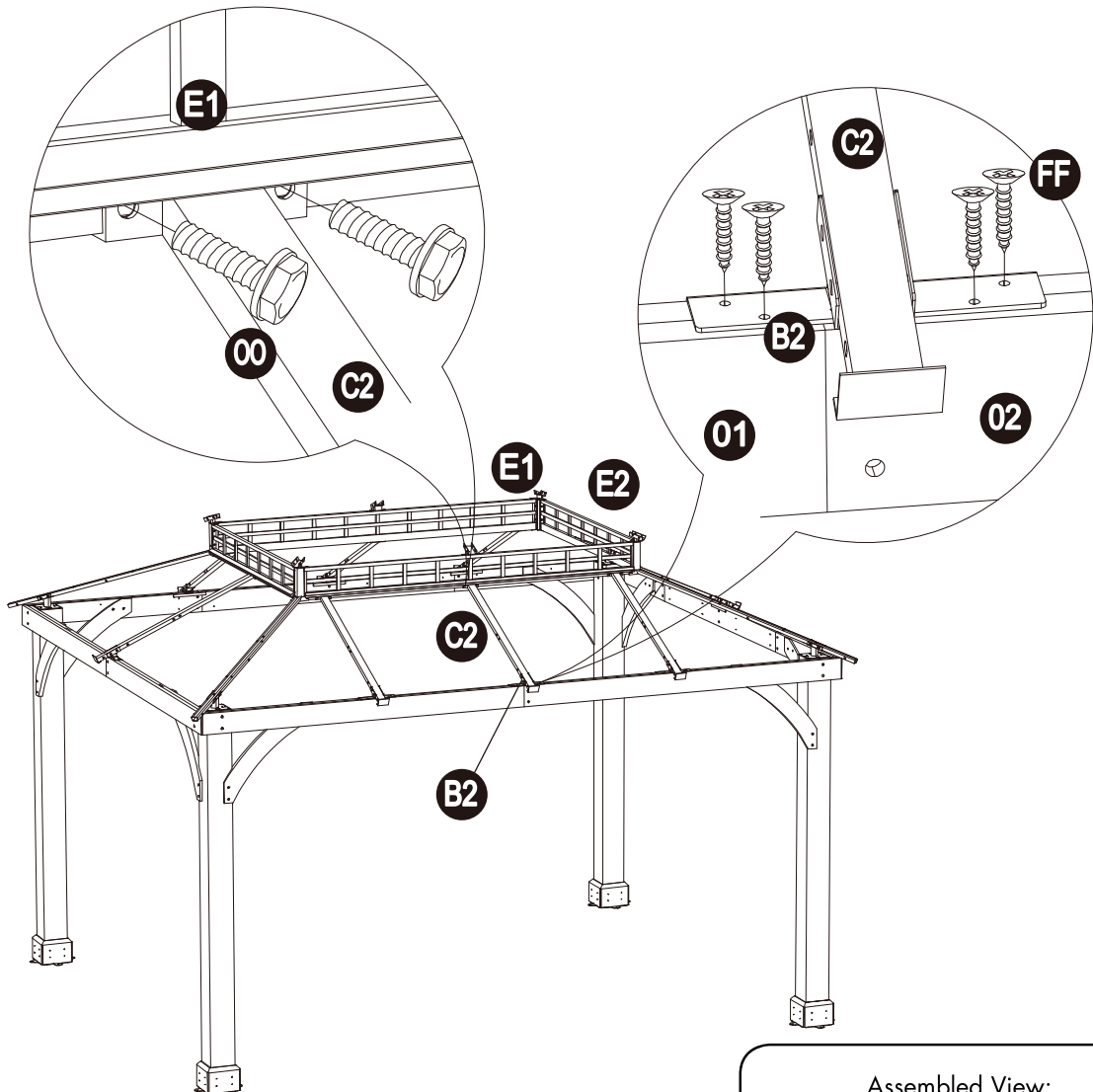
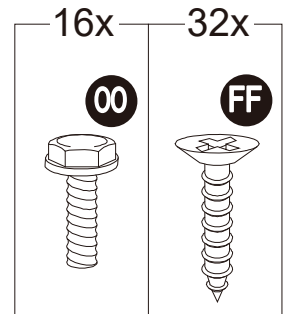
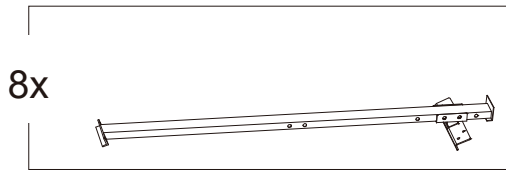
Connect the slant beam for big roof (C1) to the assembled big roof frame (E1/E2) and the big connector (B1) using bolt (O0), tighten with wrench (Z1).

# STEP 13



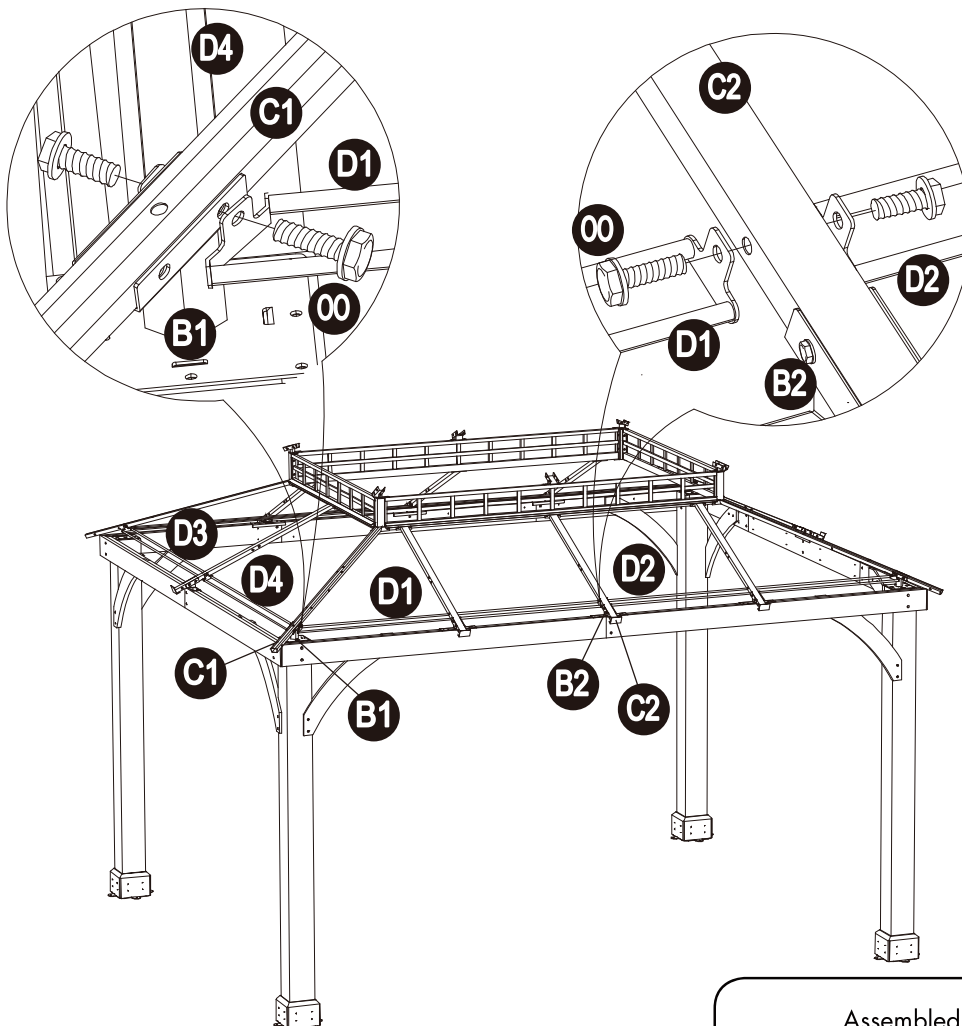
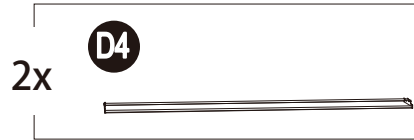
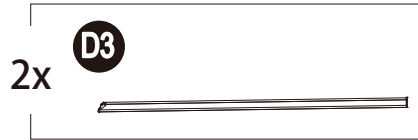
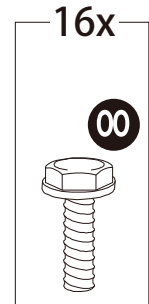
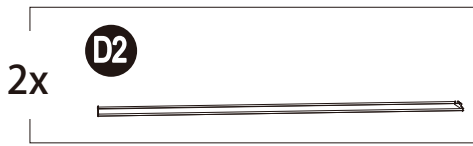
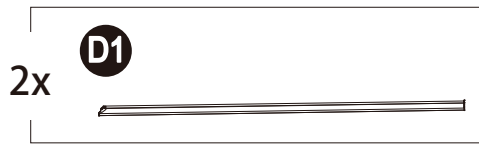
Connect the middle beam for big roof (C2) to the middle beam connector (B2) using bolt (QQ), washer (RR) and nut (SS), tighten with wrench (Z1).

# STEP 14

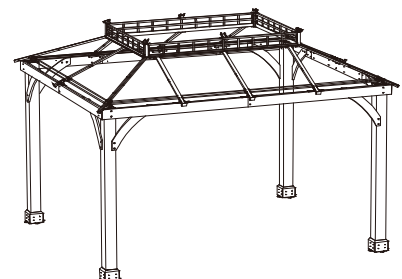


Connect the assembled middle beam for big roof (C2/B2) to the middle roof frame (E1/E2), assembled middle beam (C2/B2) to the assembled long beam (01/02/05/07) using bolt (00) and screw (FF), tighten with wrench (Z1).

# STEP 15



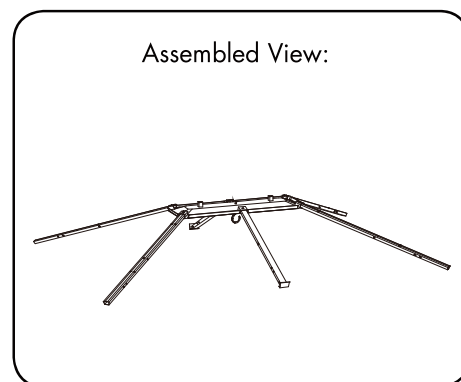
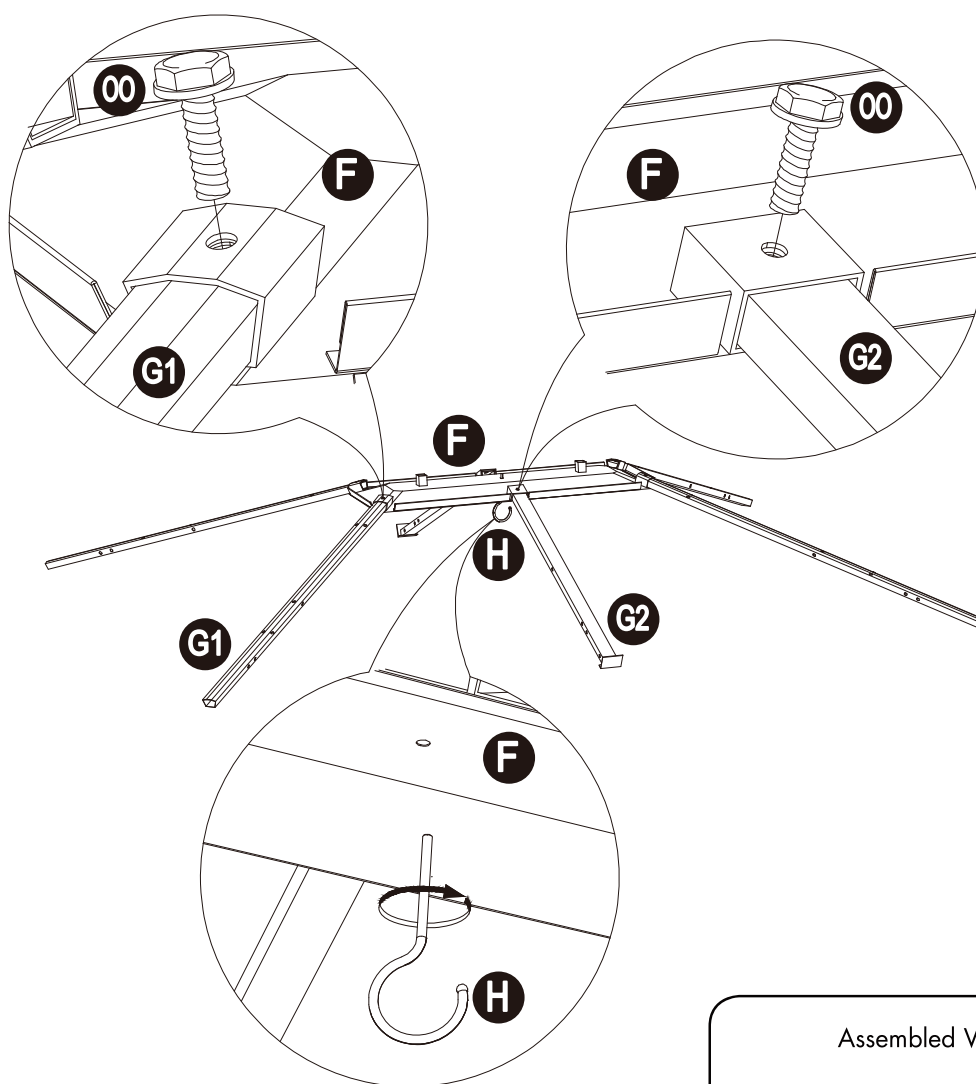
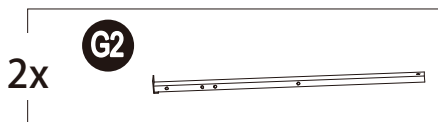
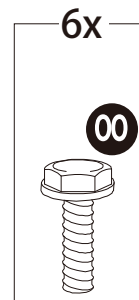
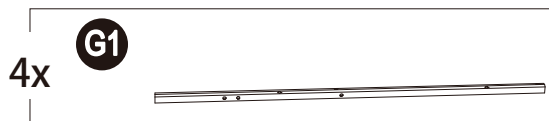
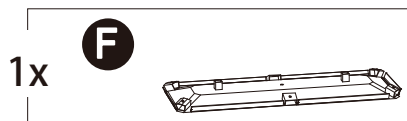
Assembled View:



Connect the netting tube (D1/D2/D3/D4) to the slant and middle beam for big roof (C1/C2) using bolt (OO), tighten with wrench (Z1).

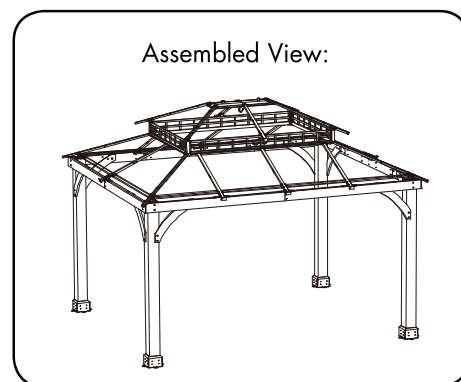
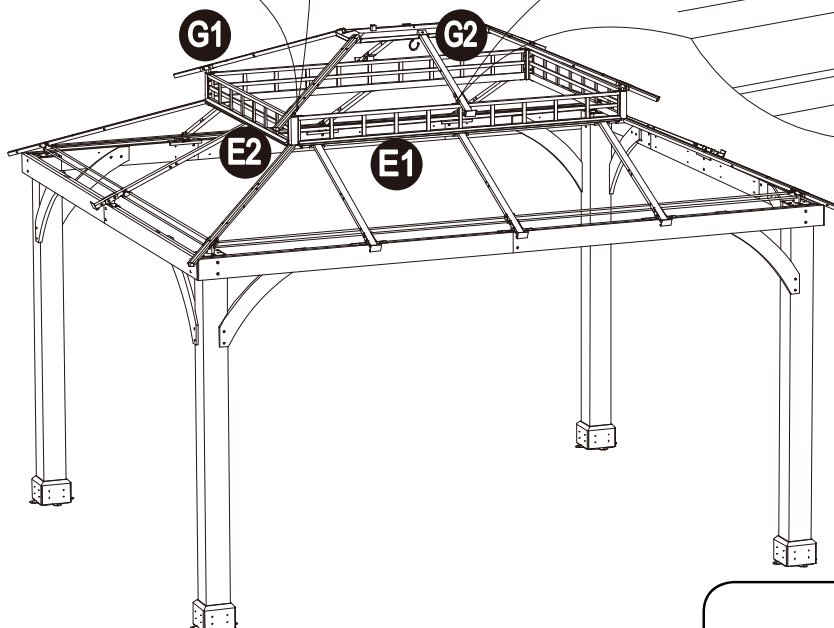
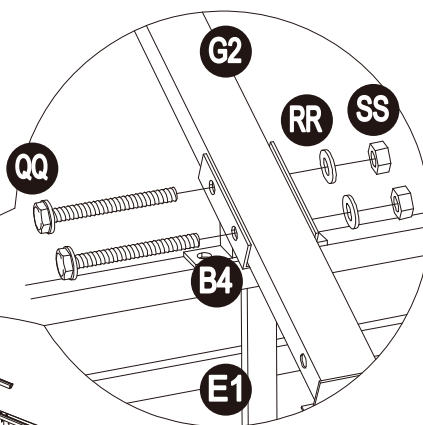
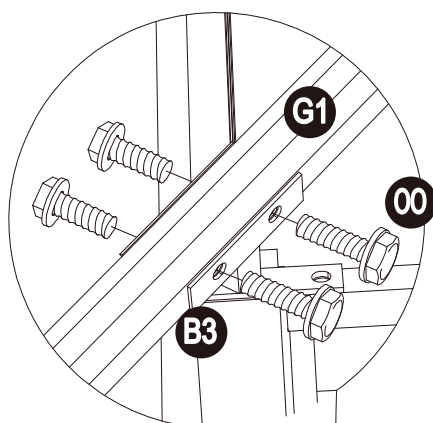
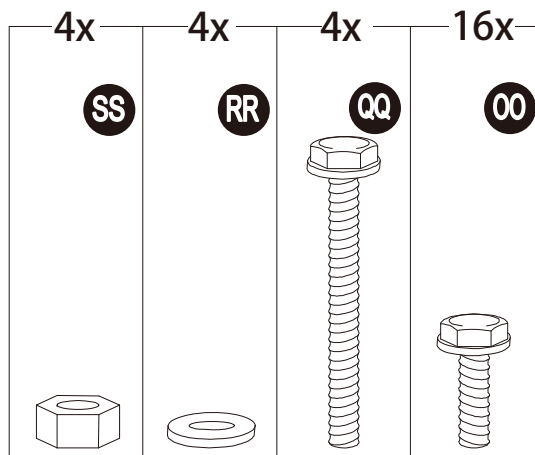
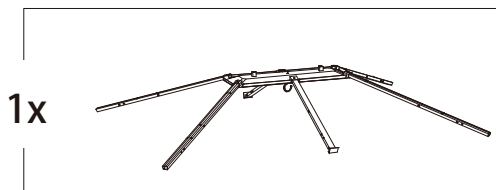


# STEP 16



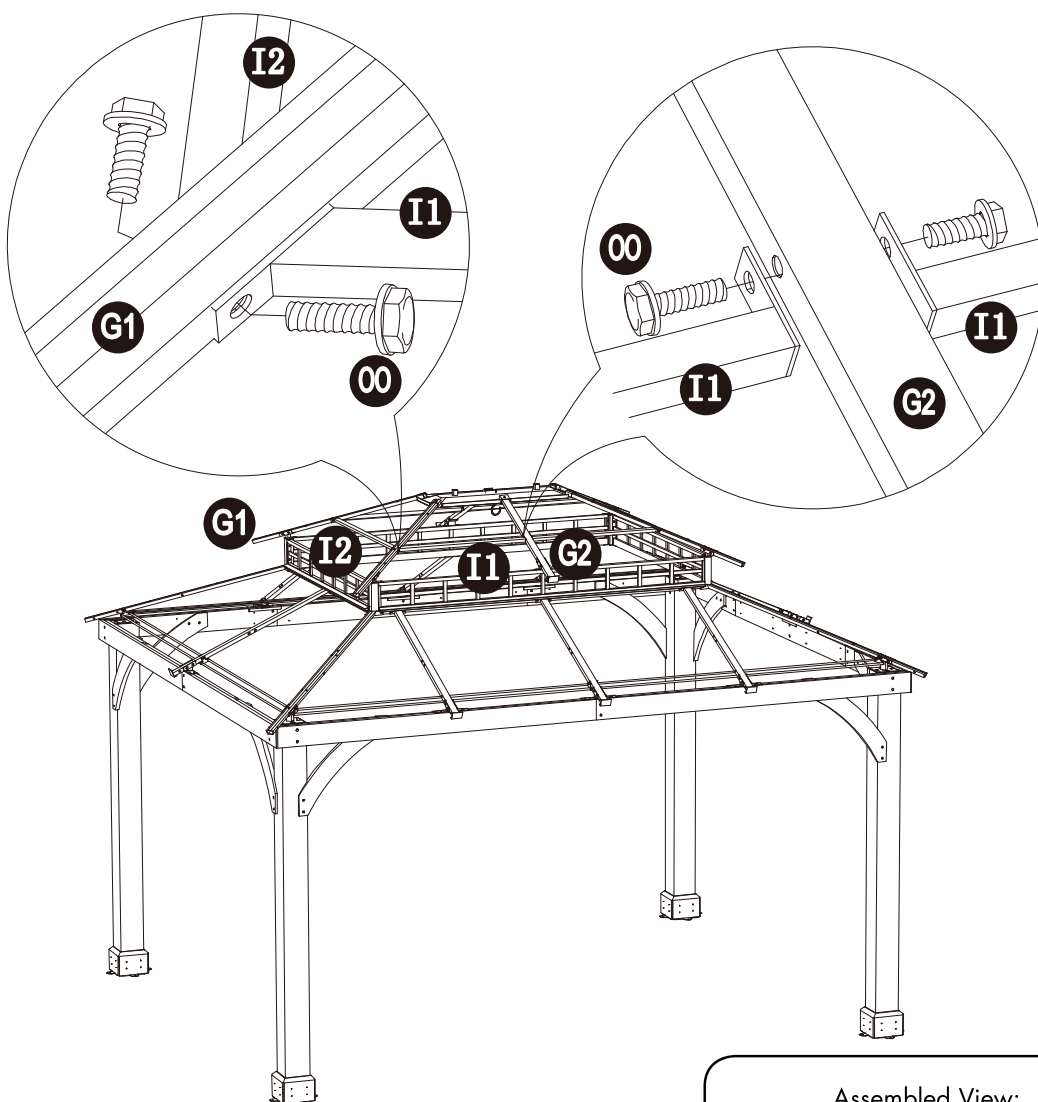
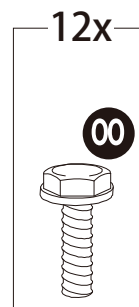
Connect the slant and middle beam for small roof (G1/G2) to the small connector for small roof (F) using bolt (OO). Secure hook (H) to the small connector for small roof (F) using wrench (Z1) to tighten.

# STEP 17

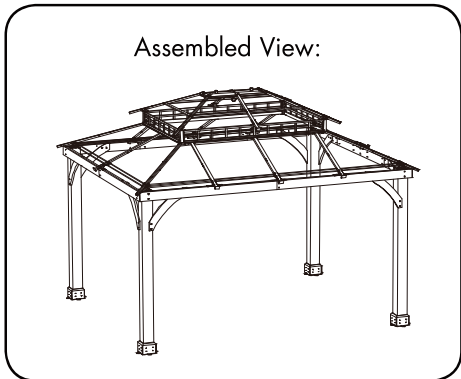


Connect the assembled small roof to the small connector for beam (B3/B4) using bolt (OO/QQ), washer (RR) and nut (SS), tighten with wrench (Z1).

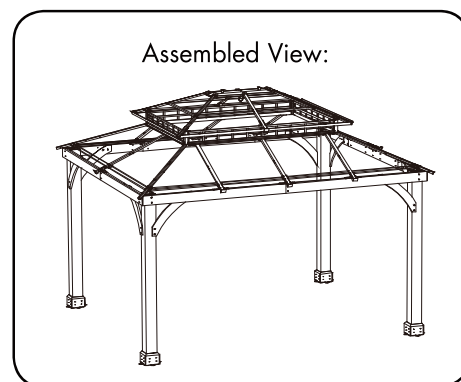
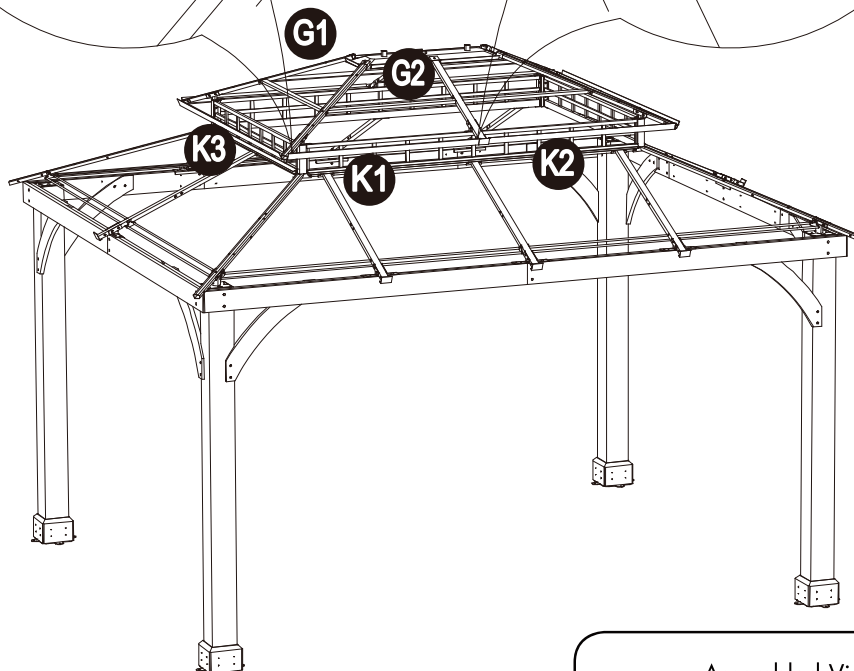
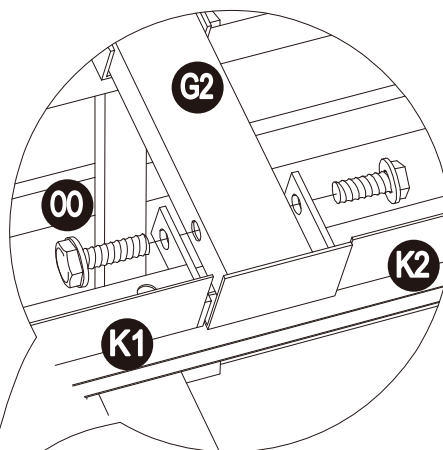
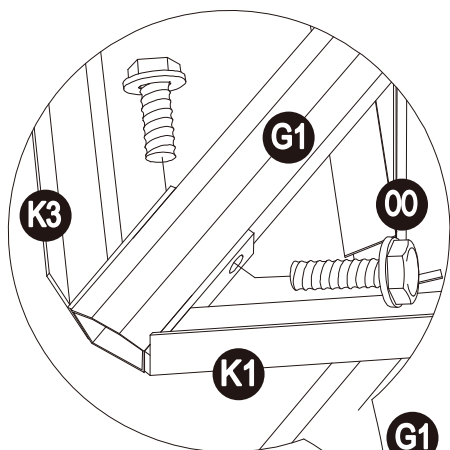
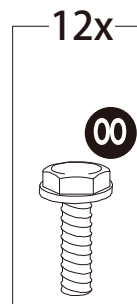
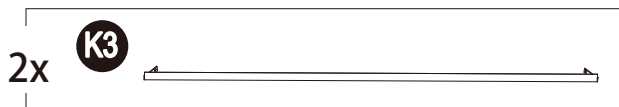
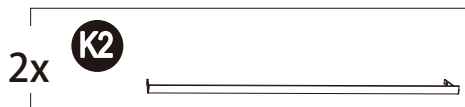
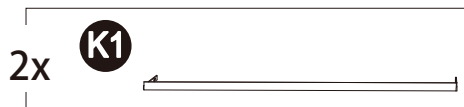
# STEP 18



Connect the small beam (I1/I2) to the small and middle beam (G1/G2) using bolt (00), tighten with wrench (Z1).

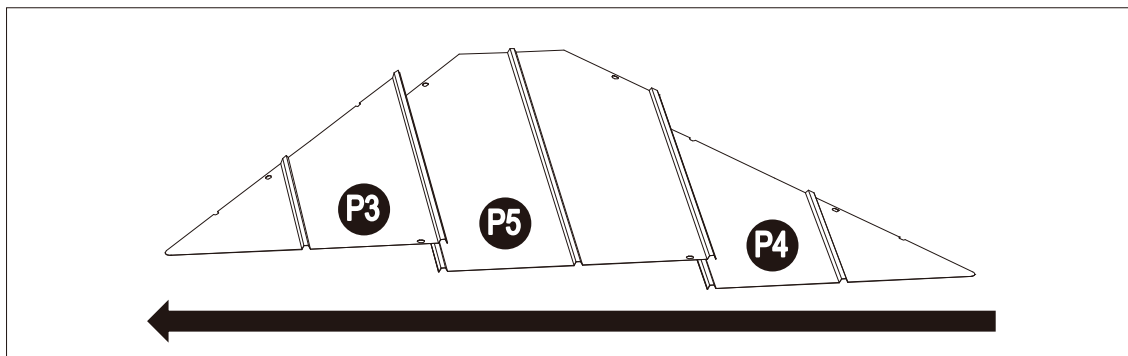
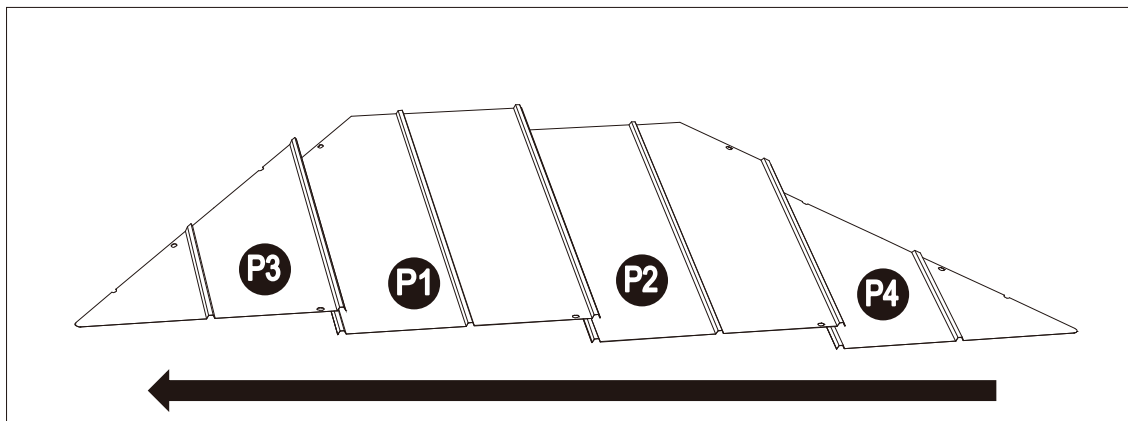
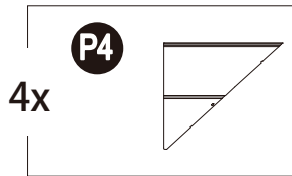
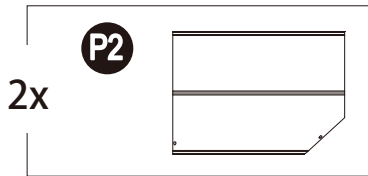
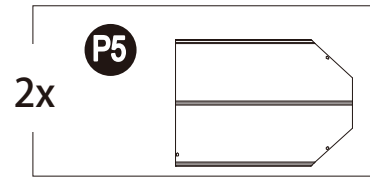
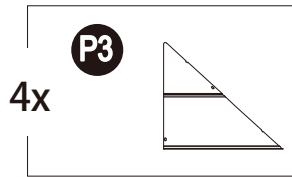
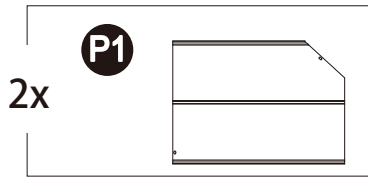


# STEP 19



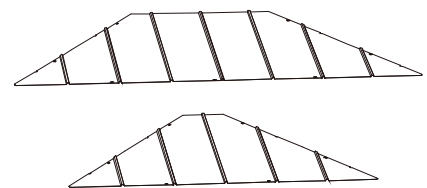
Connect the small roof lower beam (K1/ K2/K3) to the small and middle beam (G1/G2) using bolt (OO), tighten with wrench (Z1).

# STEP 20

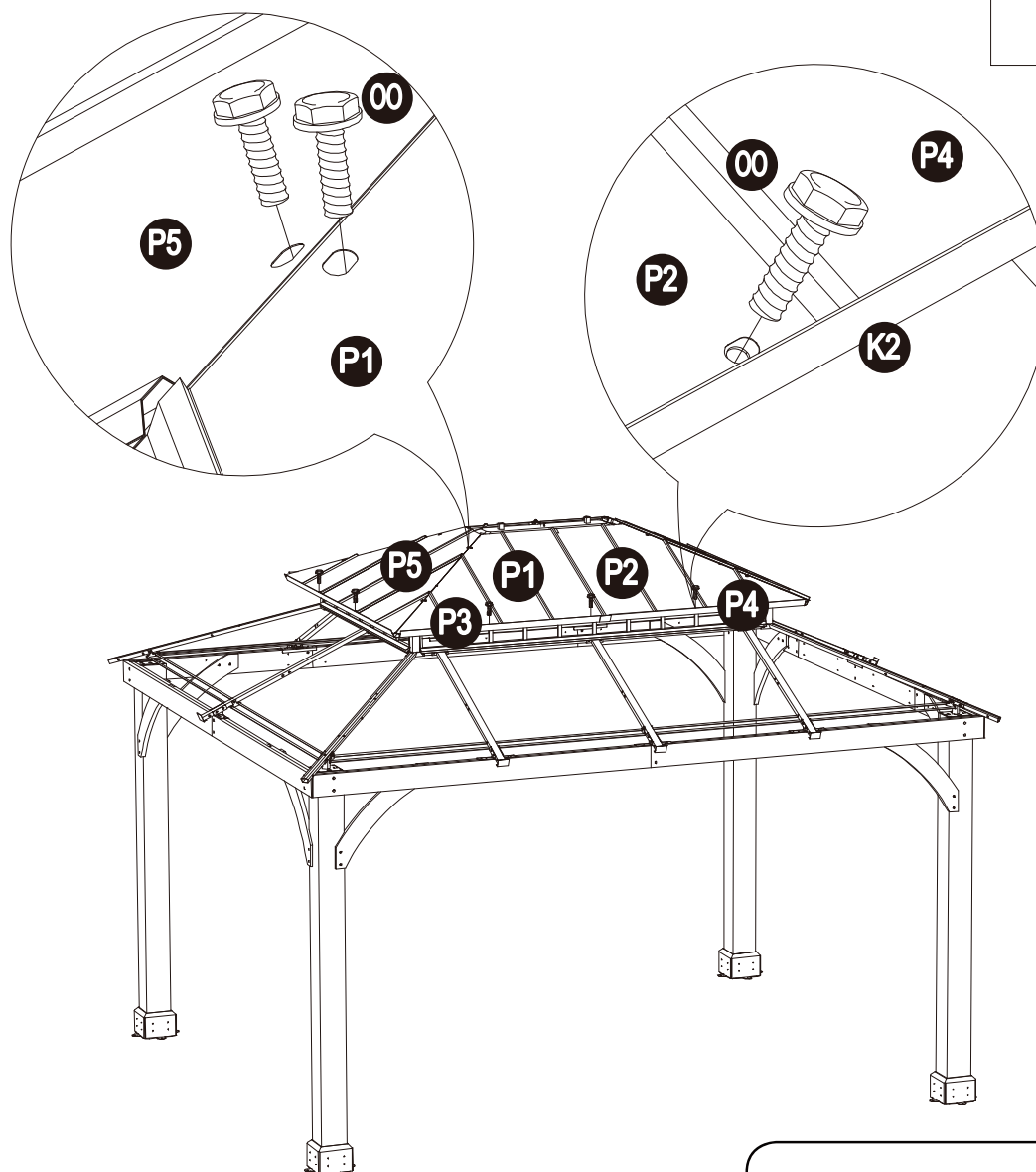
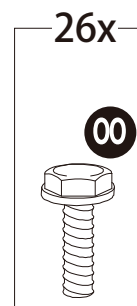


Place small roof panel (P1/P2/P3/P4/P5) in the order as shown.

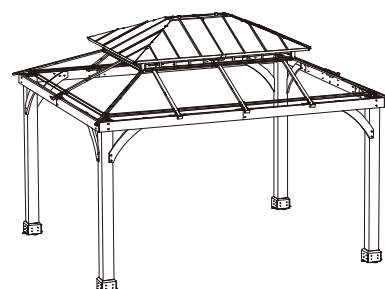
Assembled View:



# STEP 21

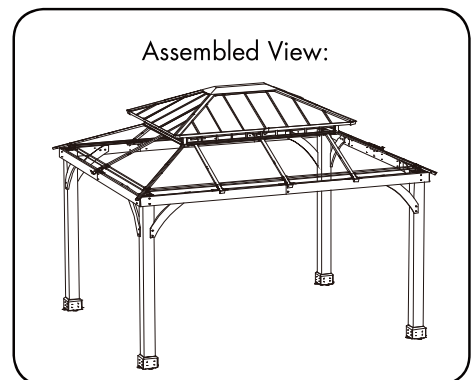
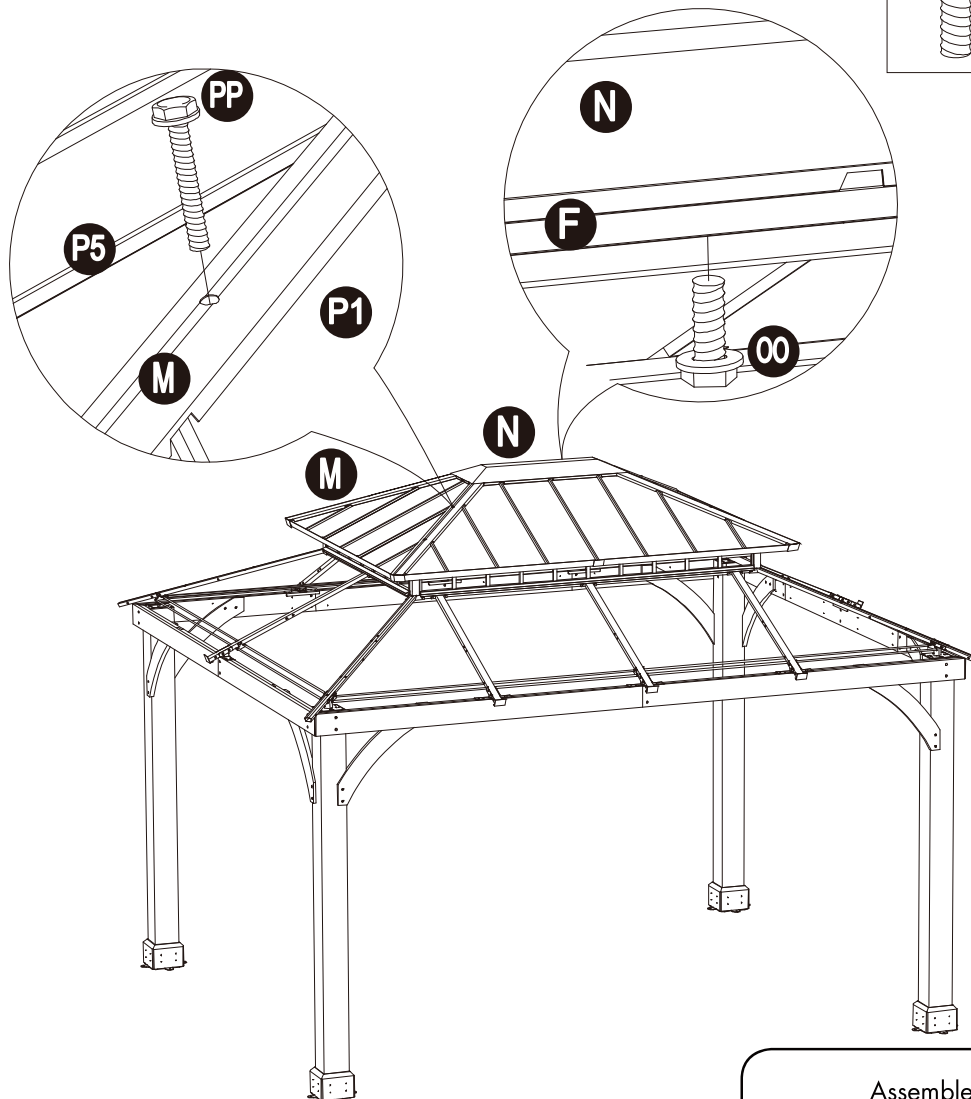
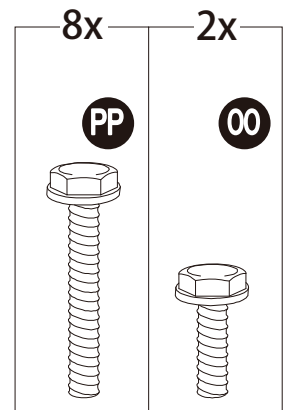
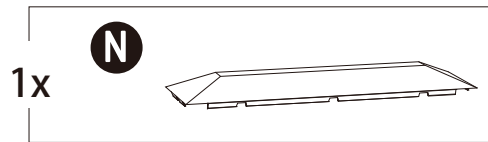
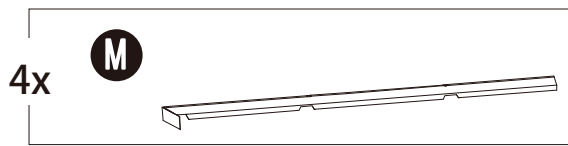


Assembled View:



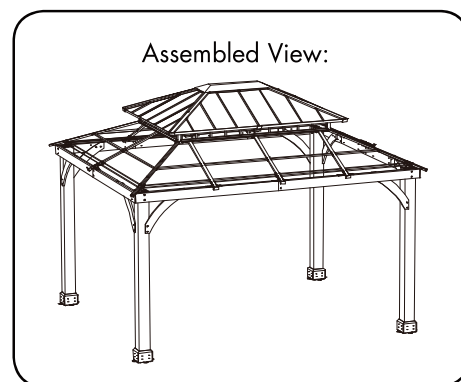
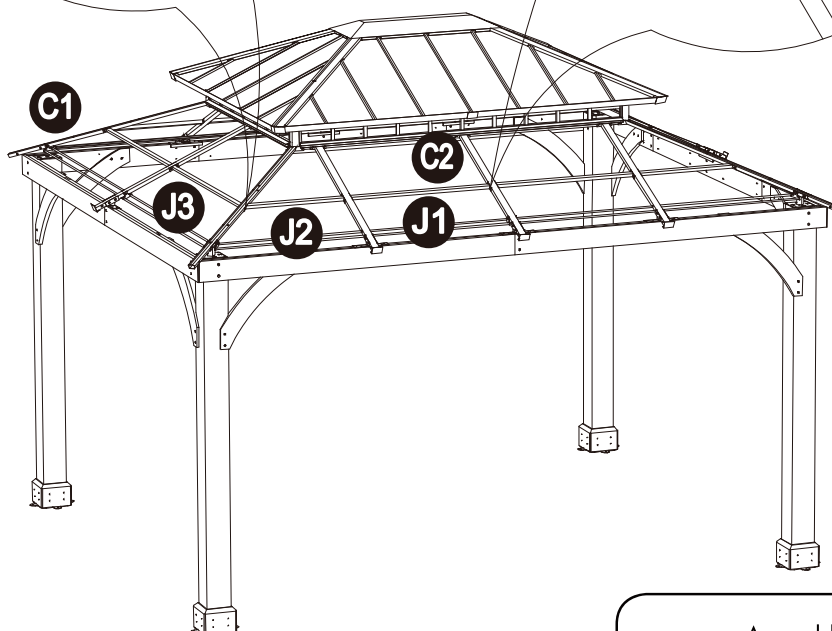
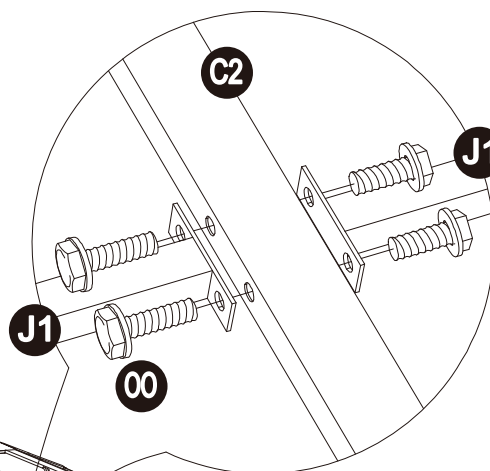
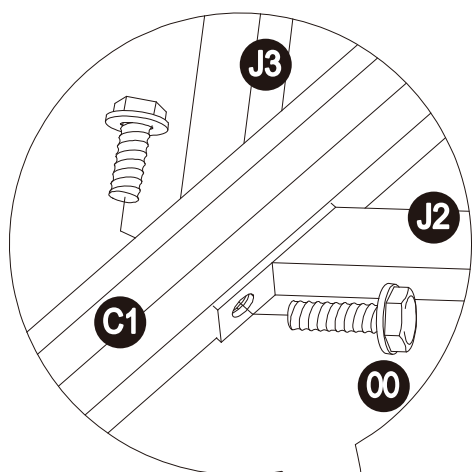
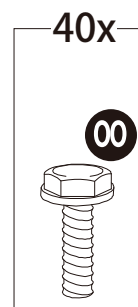
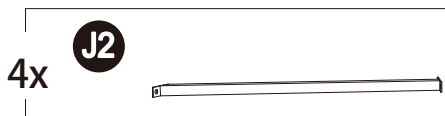
Connect small roof panel (P1/P2/P3/P4/P5) to the small roof lower beam (K1/K2/K3) and slant beam (G1) using bolt (00), tighten with wrench (Z1).

# STEP 22



Connect cover plate (M) to the slant beam (G1), top cover (N) to the small connector (F) using bolt (OO/PP), tighten with wrench (Z1).

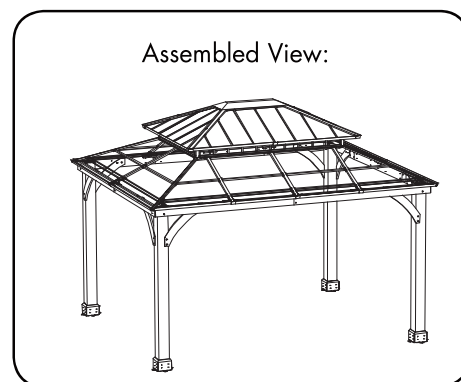
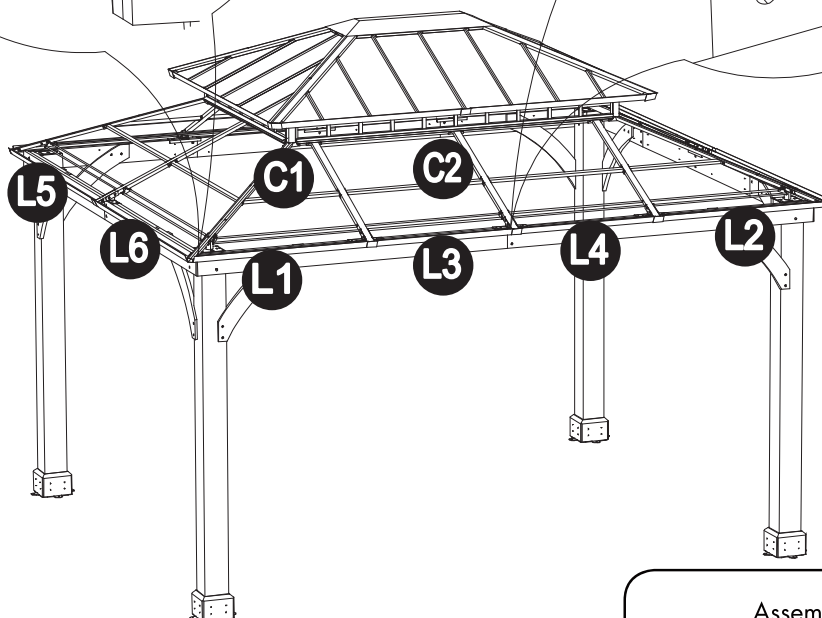
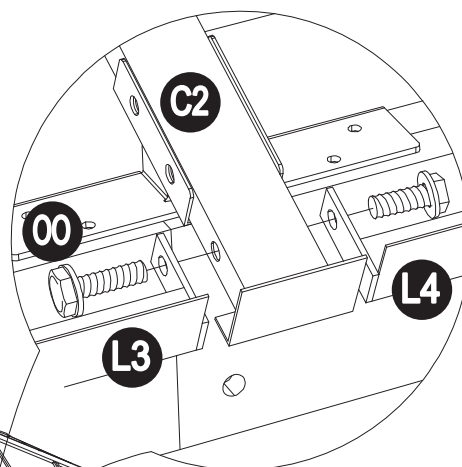
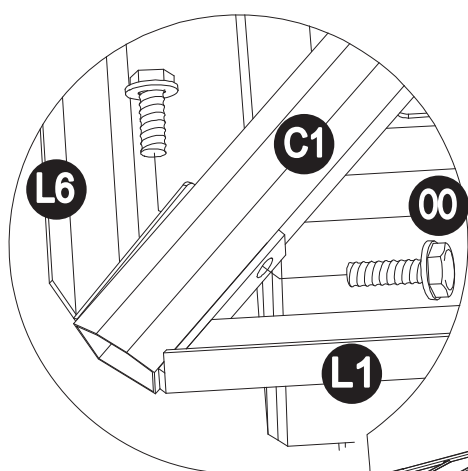
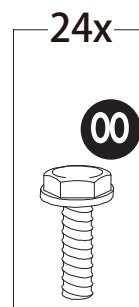
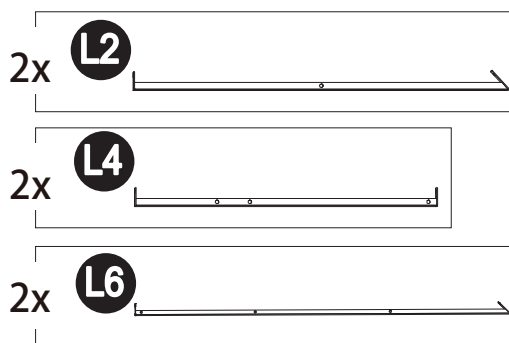
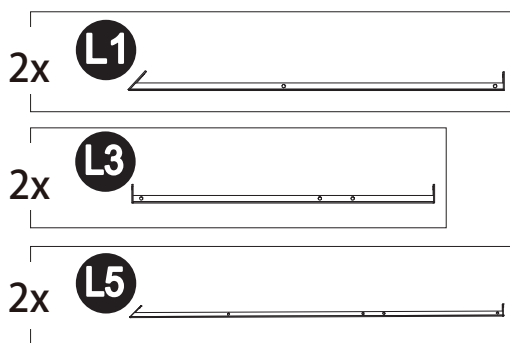
# STEP 23



Connect long/short/side beam (J1/J2/J3) to the slant /middle beam (C1/C2) using bolt (00), tighten with wrench (Z1).

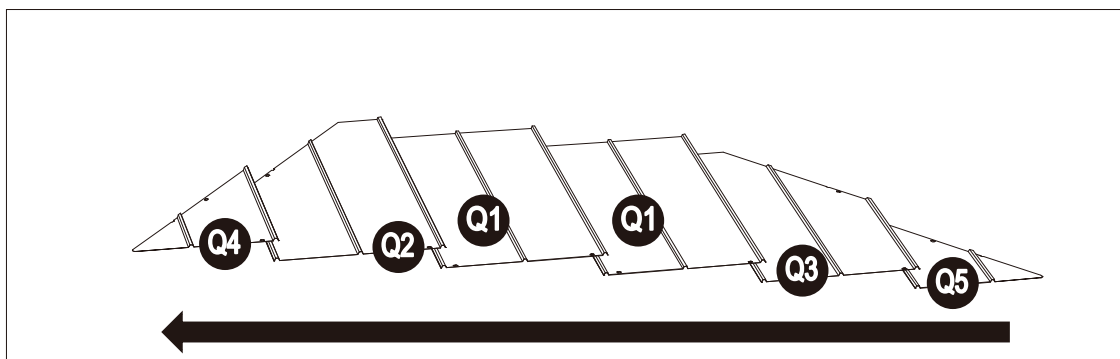
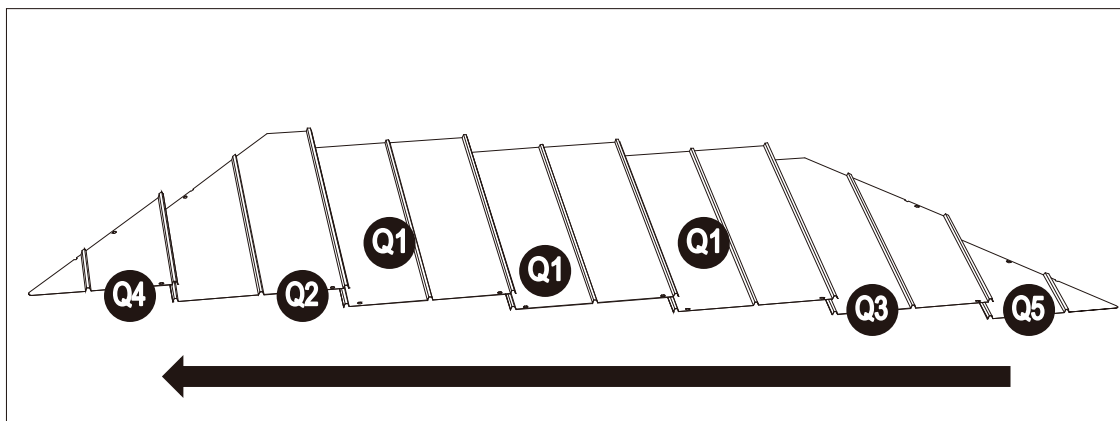
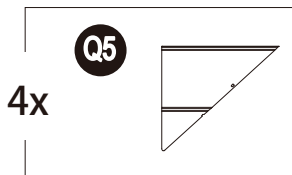
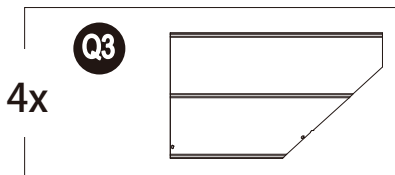
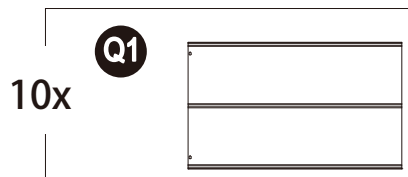
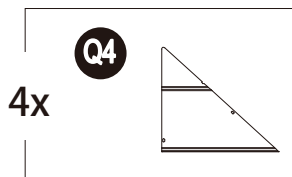
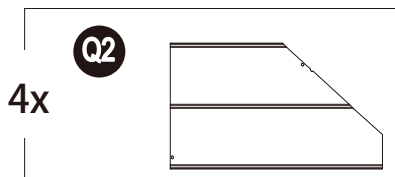


# STEP 24



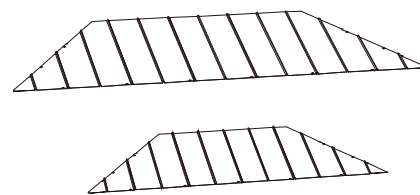
Connect big roof long lower beam (L1/L2/  
L3/L4) and big roof short lower beam (L5/  
L6) to the slant/middle beam (C1/C2)  
using bolt (OO), tighten with wrench (Z1).

# STEP 25



Place the big roof panel (Q1/Q2/Q3/  
Q4/Q5) in the order as shown.

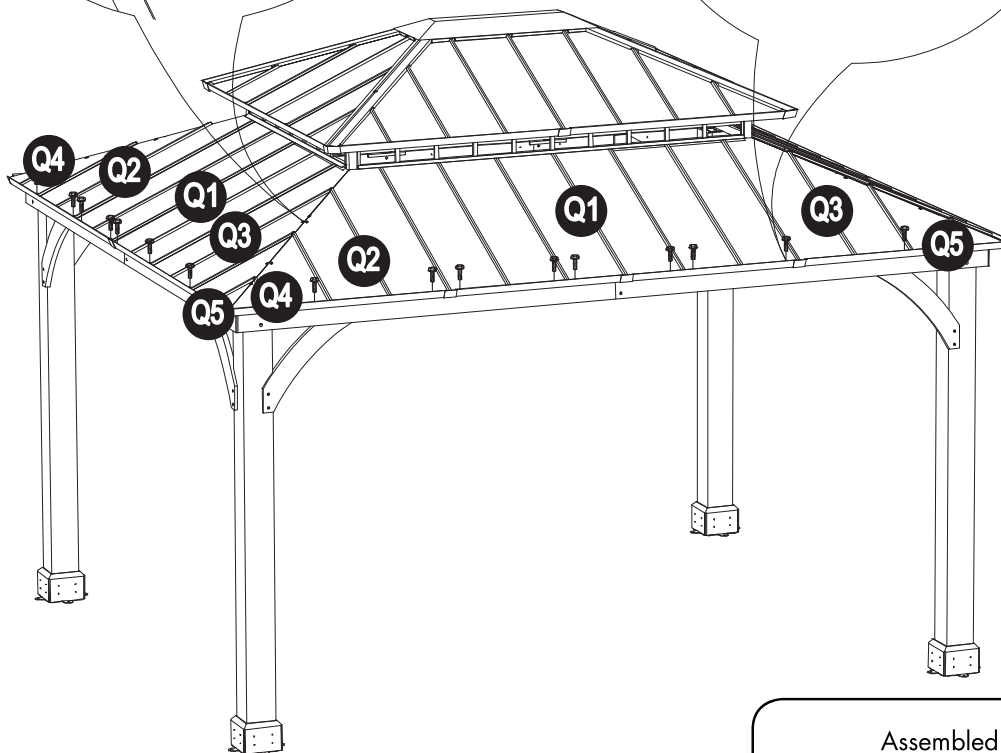
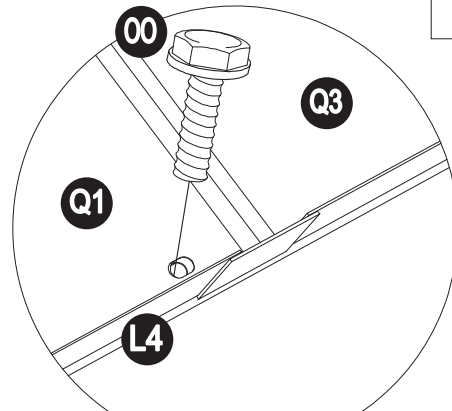
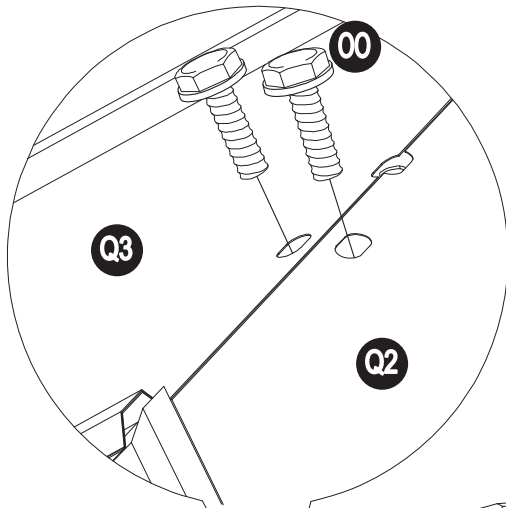
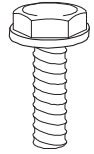
Assembled View:



# STEP 26

48x

00

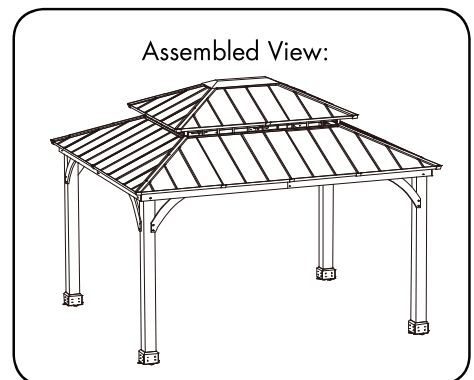
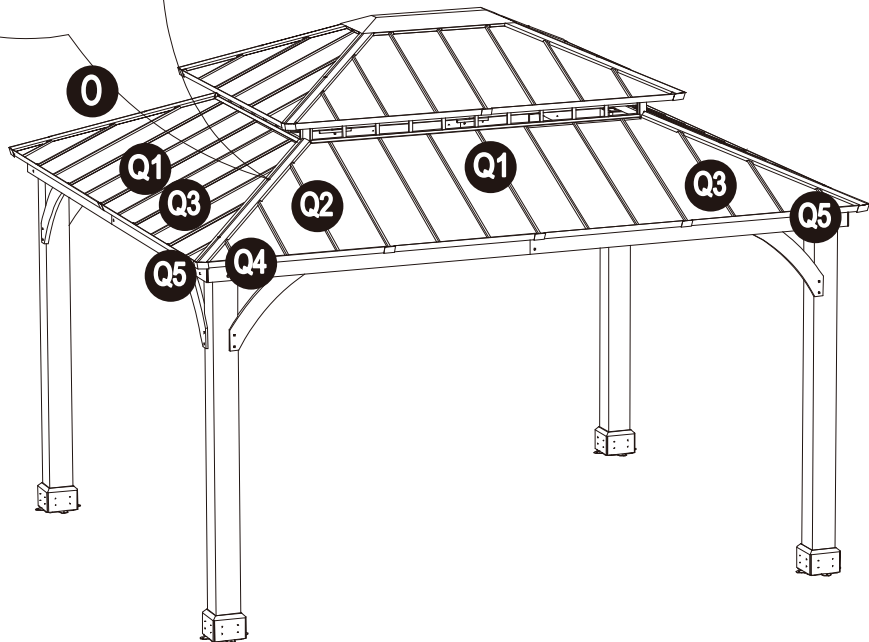
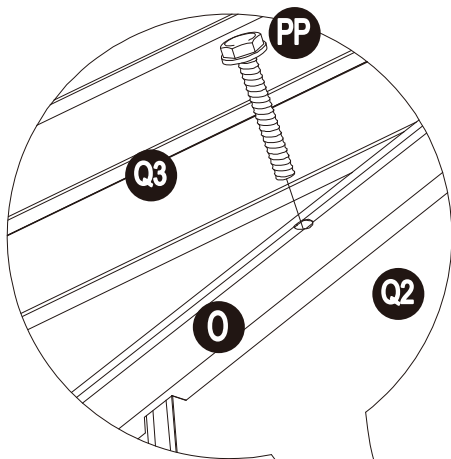
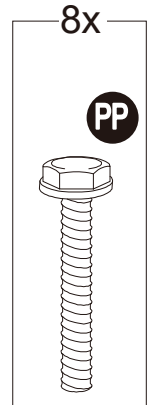
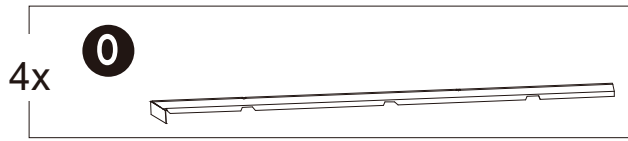


Assembled View:



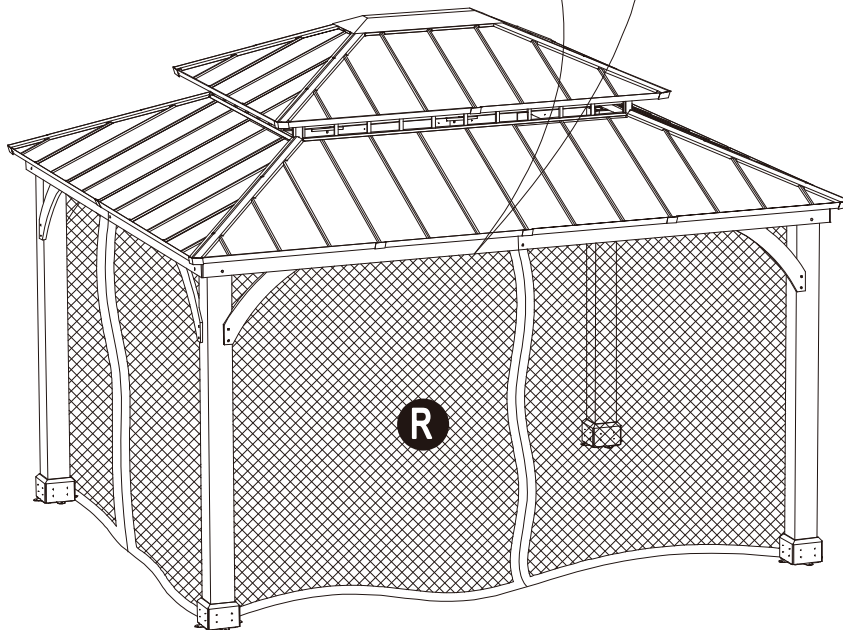
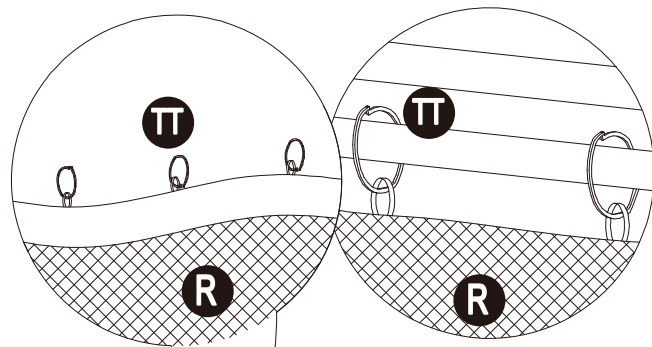
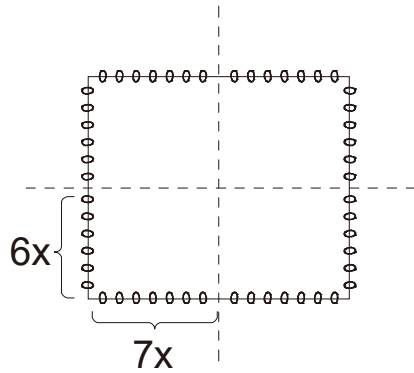
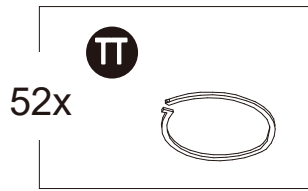
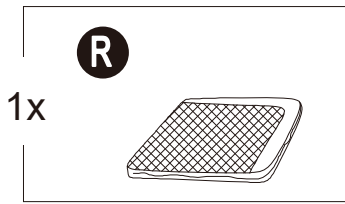
Secure the big roof panel (Q1/Q2/Q3/  
Q4/Q5) to the slant beam (C1) and  
the big roof lower beam (L1 - L6) using bolt  
(00), tighten with wrench (Z1).

# STEP 27

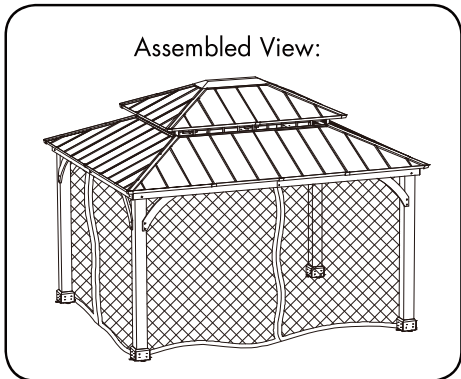


Insert the cover plate (O) to the big roof connector (E3), then secure it to the slant beam (C1) using bolt (PP), tighten with wrench (Z1).

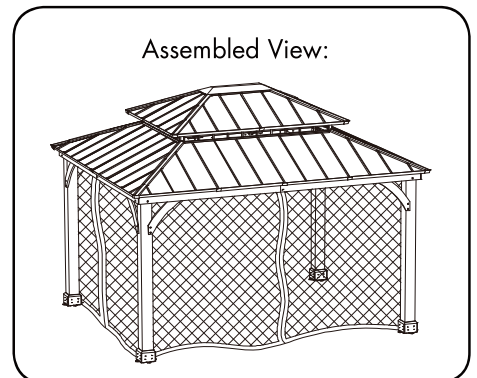
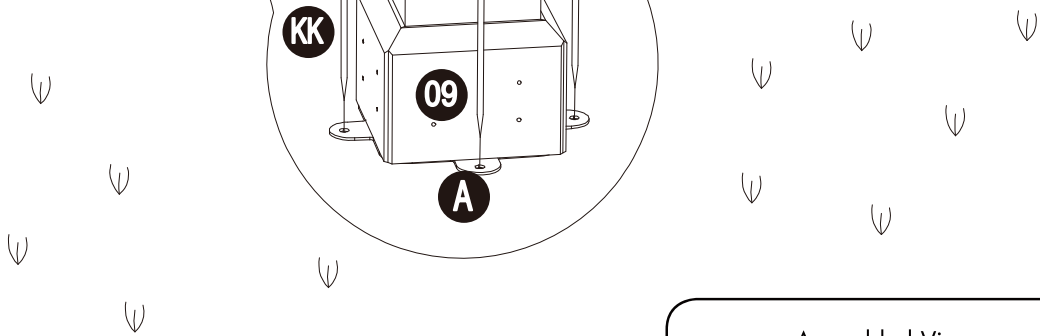
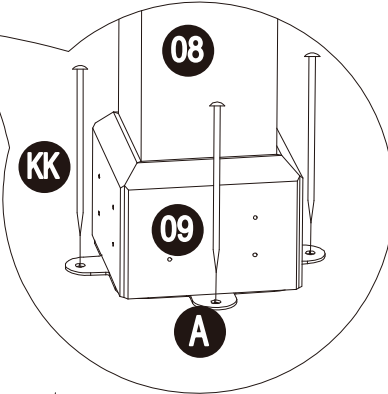
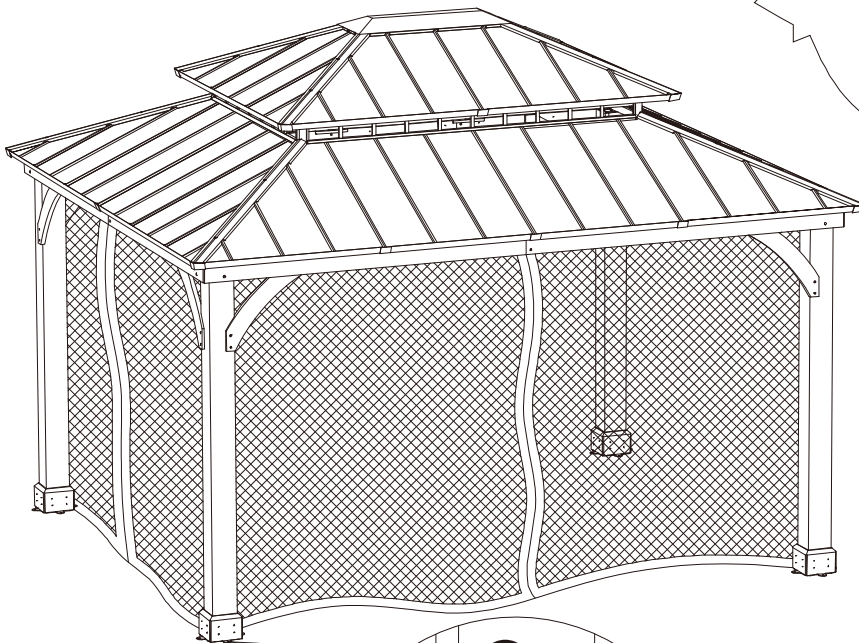
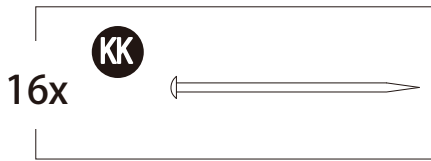
# STEP 28



Lock the plastic ring (TT) to the netting (R), then lock all the rings (TT) to the netting tube (D1/D2/D3/D4).



# STEP 29



Secure the gazebo to the ground using stakes (KK).